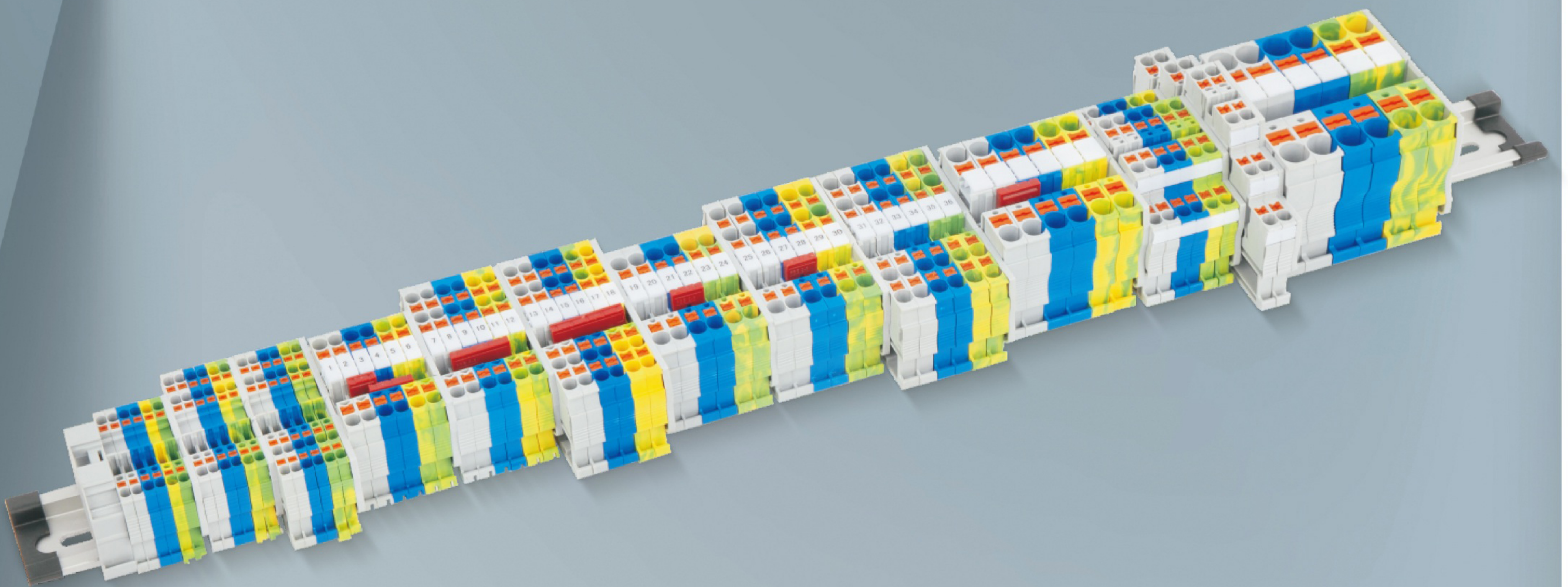


## Push-in Terminal Blocks



## JPT Push-in Connection Terminal Blocks

With Push-in connection technology, you can connect conductors easily – both directly and without tools, insert forces reduced by 50%. It is suitable for various applications. Insert rigid conductors or conductors with ferrules from 0.25 mm<sup>2</sup> into the conductor shaft. The contact spring opens automatically and provides the required pressure force against the current bar.




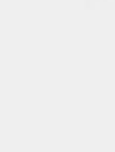


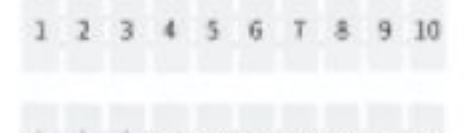
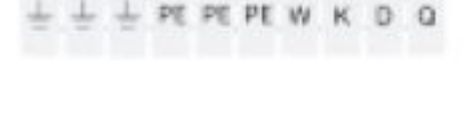
When installing smaller conductors from 0.14 mm<sup>2</sup>, use a standard screwdriver to push the orange button and actuate the contact spring.

Push-in Connection have test and passed various certificates. For example, vibration resistance in accordance with railway standard DIN EN 50155, shock and corrosion resistance in accordance with current shipbuilding registers.

Certificates	
Insulating material, Flammability rating	
<b>Dimensions</b>	(mm)
<b>Maximum electrical data</b>	
Maximum bridge current	(A)
<b>Electric parameter</b>	
Rated voltage	(V)
Nominal current	(A)
Nominal cross section	(mm <sup>2</sup> )
Connection capacity	(mm <sup>2</sup> )

Description	Color
Terminal Block	<input type="radio"/> Grey <input type="radio"/> Blue <input type="radio"/> Orange <input type="radio"/> Yellow/Green
Ground Terminal Block	<input type="radio"/> Yellow/Green

### Accessories

End cover		
Partition plate		
Plug-in bridge	Seats	
	2	<input type="radio"/> Red
	3	<input type="radio"/> Red
	4	<input type="radio"/> Red
	5	<input type="radio"/> Red
	10	<input type="radio"/> Red
Marker strip		
Blank		White
Standard numbers		White
Customized words		White

**Connection method:**  
Tool-free, insert directly !



#### Push-in connection technology

JPT Series are easily to use, allows you wire your entire application easily and safely.



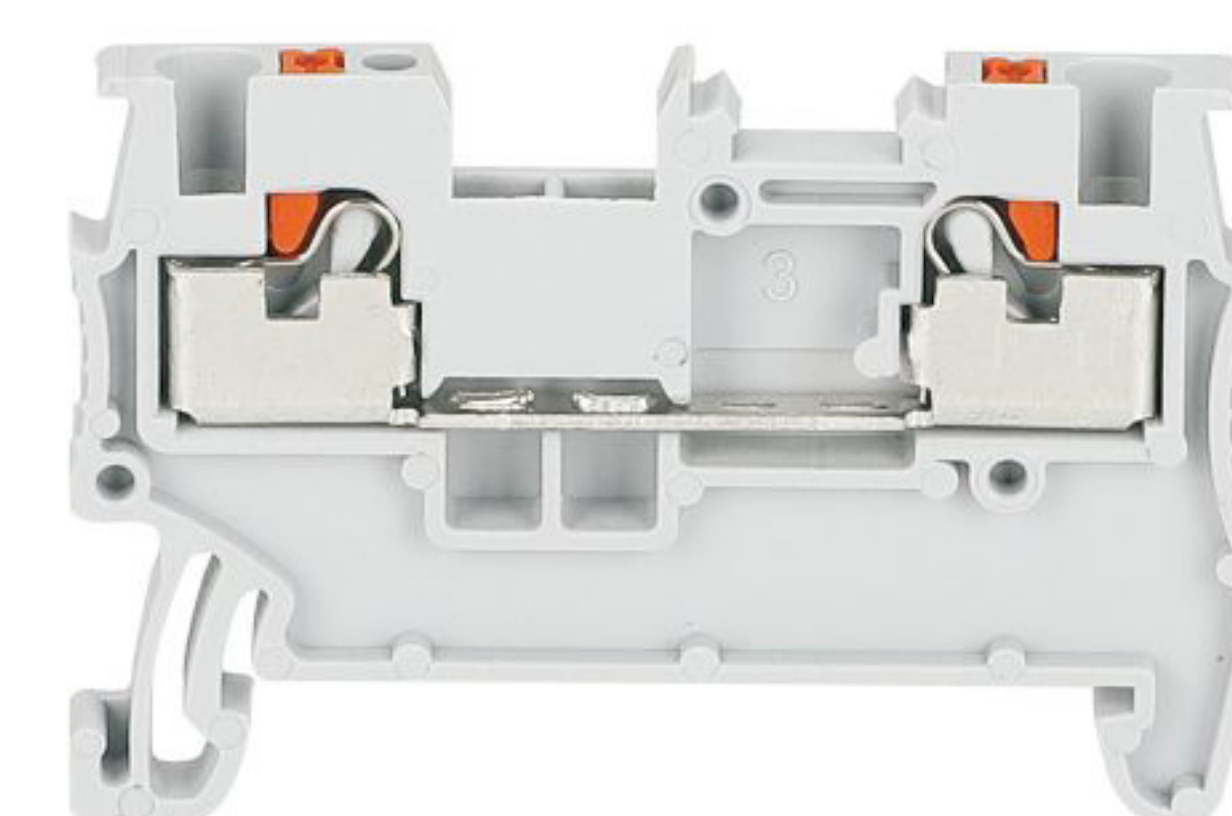
#### Convenient connection

Insertion forces reduced by up to 50%, rigid conductors or conductor with ferrules can operate tool-free direct connection.



#### Pull button

With the built-in orange pull button, conductor can be released with any tool, easy to operate, without touching the metal parts.



### JPT 1.5/S Push-in Terminal Block

#### Technical parameters

CE RoHS

PA, V0

Width	Length	Height
3.5	45	32

I <sub>max</sub> (A)	U <sub>max</sub> (V)
17.5	500

17.5

IEC	UL
500	600

17.5	-
------	---

1.5	-
-----	---

Rigid conductor	Flexible conductor
0.14-1.5	0.14-1.5

0.14-1.5	0.14-1.5
----------	----------

#### Ordering data

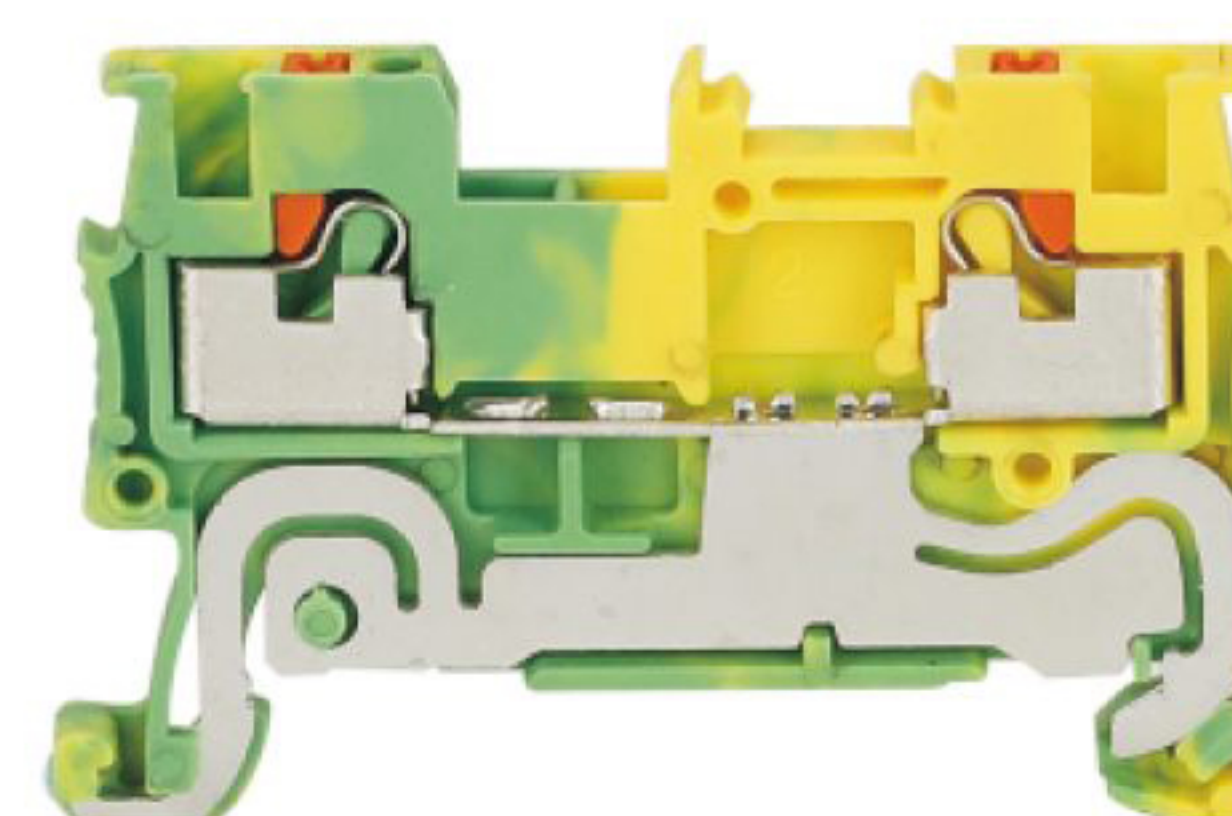
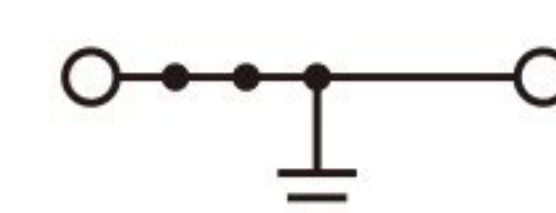
Part No.	Order No.	Pcs/Pkt.
JPT 1.5/S	<a href="#">100105001</a>	100
JPT 1.5/S BU	<a href="#">100105001BU</a>	100
JPT 1.5/S-PE	<a href="#">100106001</a>	100

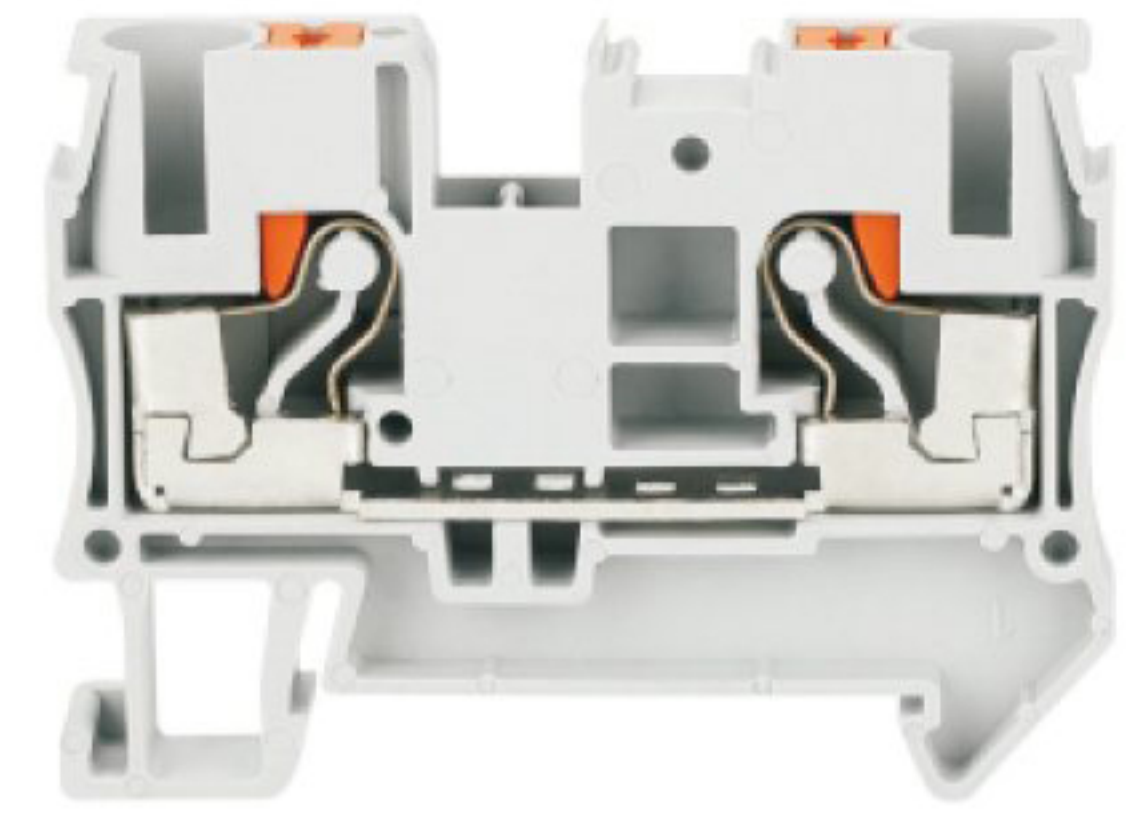
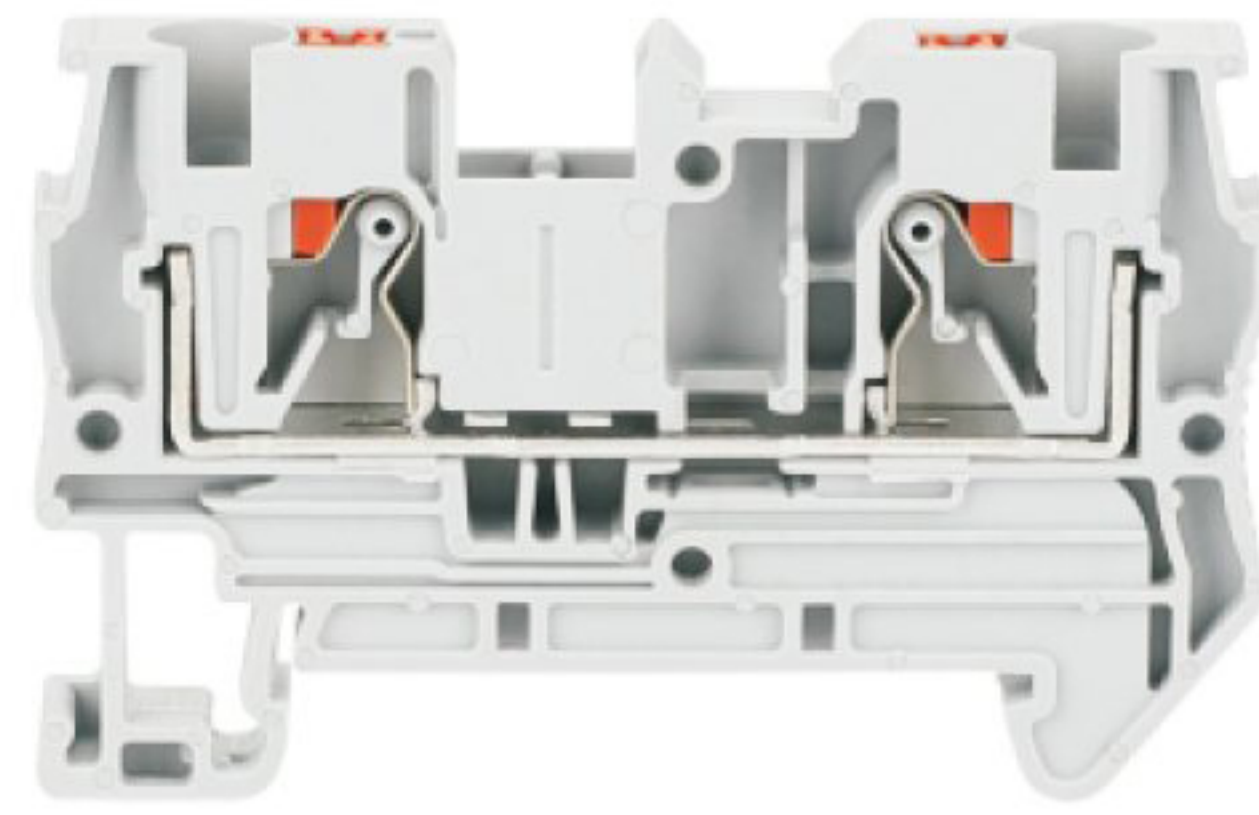
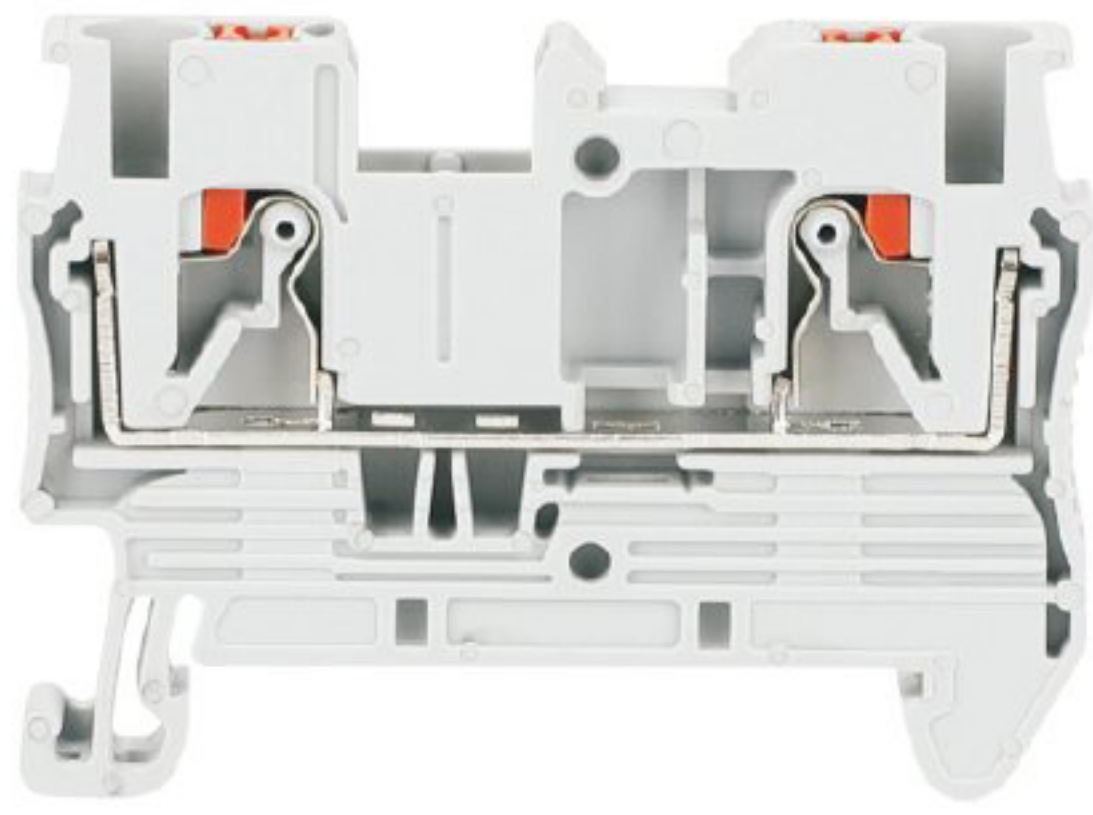
D-JPT 1.5/S	<a href="#">100203001</a>	100
ATP-JST/JPT	<a href="#">100203012</a>	150

② FBS 2-3.5	<a href="#">100212002</a>	100
③ FBS 3-3.5	<a href="#">100212003</a>	100
④ FBS 4-3.5	<a href="#">100212004</a>	100
⑤ FBS 5-3.5	<a href="#">100212005</a>	100
⑩ FBS 10-3.5	<a href="#">100212001</a>	50

ZB 3.5	<a href="#">100222001</a>	100
ZB 3.5	<a href="#">100222002</a>	100
ZB 3.5	<a href="#">100222003</a>	100

### JPT 1.5/S-PE Ground Terminal Block




**JPT 2.5 Push-in Terminal Block**
**Technical parameters**

CE RoHS

PA, V0

Width Length Height

5.2 48.5 36.5

 $I_{max}(A)$   $U_{max}(V)$ 

31 800

31

IEC UL

800 600

24 -

2.5 -

Rigid conductor Flexible conductor

0.14-4 0.14-2.5

**Ordering data**

Part No. Order No. Pcs/Pkt.

 JPT 2.5 [100105002](#) 100

 JPT 2.5 BU [100105002BU](#) 100

 JPT 2.5-PE [100106002](#) 100

 D-JST 1.5-2.5 [100202001](#) 100

 ATP-JST/JPT [100203012](#) 150

 ② FBS 2-5 [100212012](#) 200

 ③ FBS 3-5 [100212013](#) 100

 ④ FBS 4-5 [100212014](#) 100

 ⑤ FBS 5-5 [100212015](#) 100

 ⑩ FBS 10-5 [100212011](#) 50

 ZB 5 [100222007](#) 100

 ZB 5 [100222008](#) 100

 ZB 5 [100222009](#) 100

**JPT 2.5-PE Ground Terminal Block**
**JPT 4 Push-in Terminal Block**
**Technical parameters**

CE RoHS

PA, V0

Width Length Height

6.2 56 36.5

 $I_{max}(A)$   $U_{max}(V)$ 

41 800

41

IEC UL

800 600

32 -

4 -

Rigid conductor Flexible conductor

0.2-6 0.2-4

**Ordering data**

Part No. Order No. Pcs/Pkt.

 JPT 4 [100105003](#) 50

 JPT 4 BU [100105003BU](#) 50

 JPT 4-PE [100106003](#) 50

 D-JST 4 [100202002](#) 100

 ATP-JST/JPT [100203012](#) 150

 ② FBS 2-6 [100212017](#) 200

 ③ FBS 3-6 [100212018](#) 100

 ④ FBS 4-6 [100212019](#) 100

 ⑤ FBS 5-6 [100212020](#) 100

 ⑩ FBS 10-6 [100212016](#) 50

 ZB 6 [100222010](#) 100

 ZB 6 [100222011](#) 100

 ZB 6 [100222012](#) 100

**JPT 4-PE Ground Terminal Block**
**JPT 6 Push-in Terminal Block**
**Technical parameters**

CE RoHS

PA, V0

Width Length Height

8.2 57.7 43.5

 $I_{max}(A)$   $U_{max}(V)$ 

57 1000

57

IEC UL

1000 600

41 -

6 -

Rigid conductor Flexible conductor

0.5-10 0.5-6

**Ordering data**

Part No. Order No. Pcs/Pkt.

 JPT 6 [100105004](#) 50

 JPT 6 BU [100105004BU](#) 50

 JPT 6-PE [100106004](#) 50

 D-JPT 6 [100203002](#) 100

 ATP-JST/JPT [100203012](#) 150

 ② FBS 2-8 [100212022](#) 100

 ③ FBS 3-8 [100212023](#) 100

 ④ FBS 4-8 [100212024](#) 100

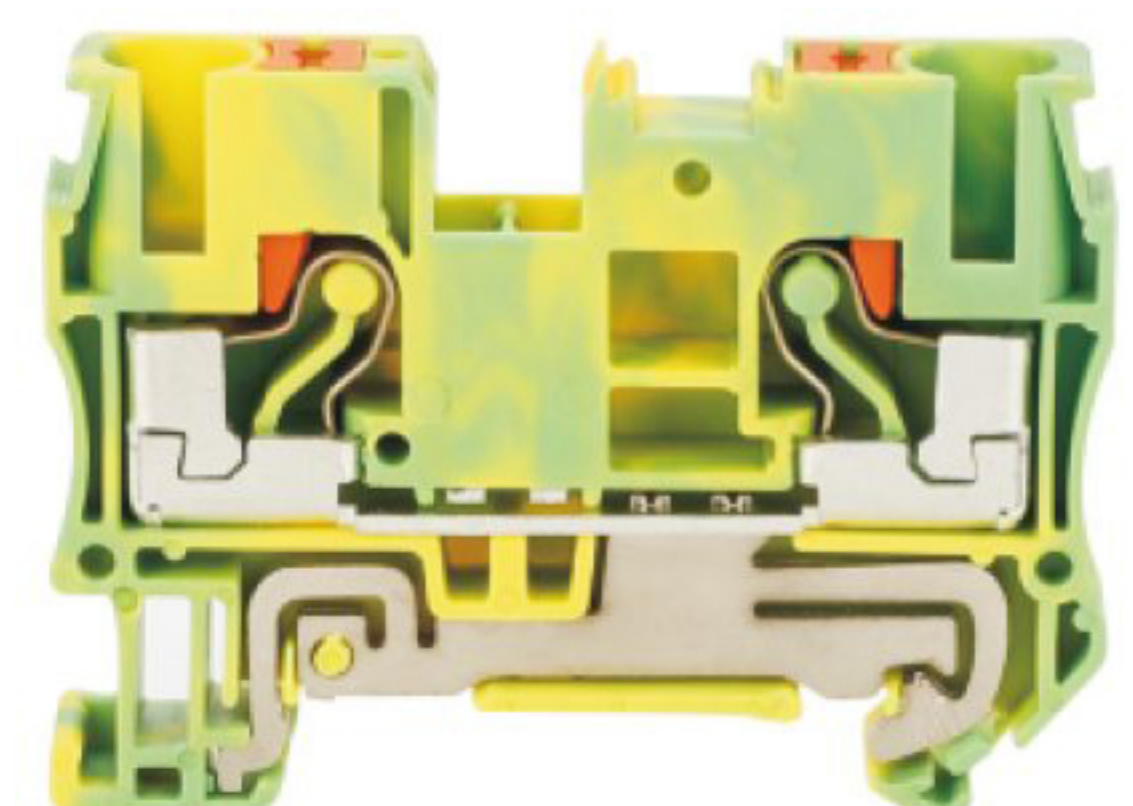
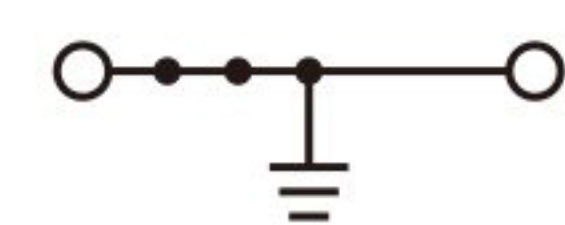
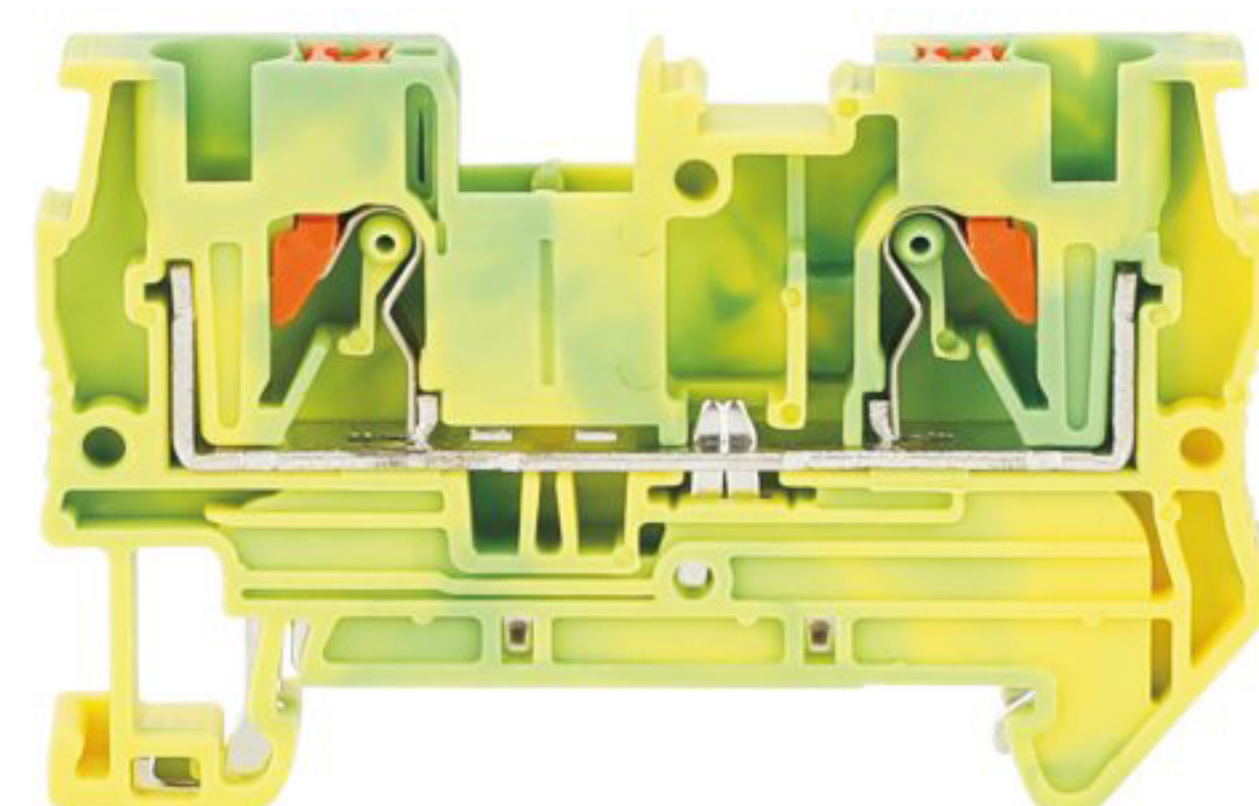
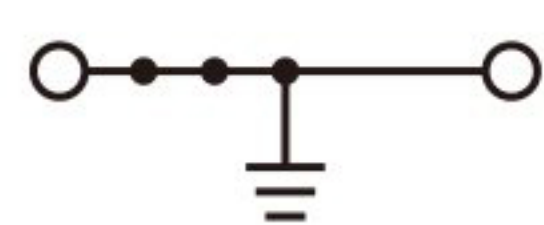
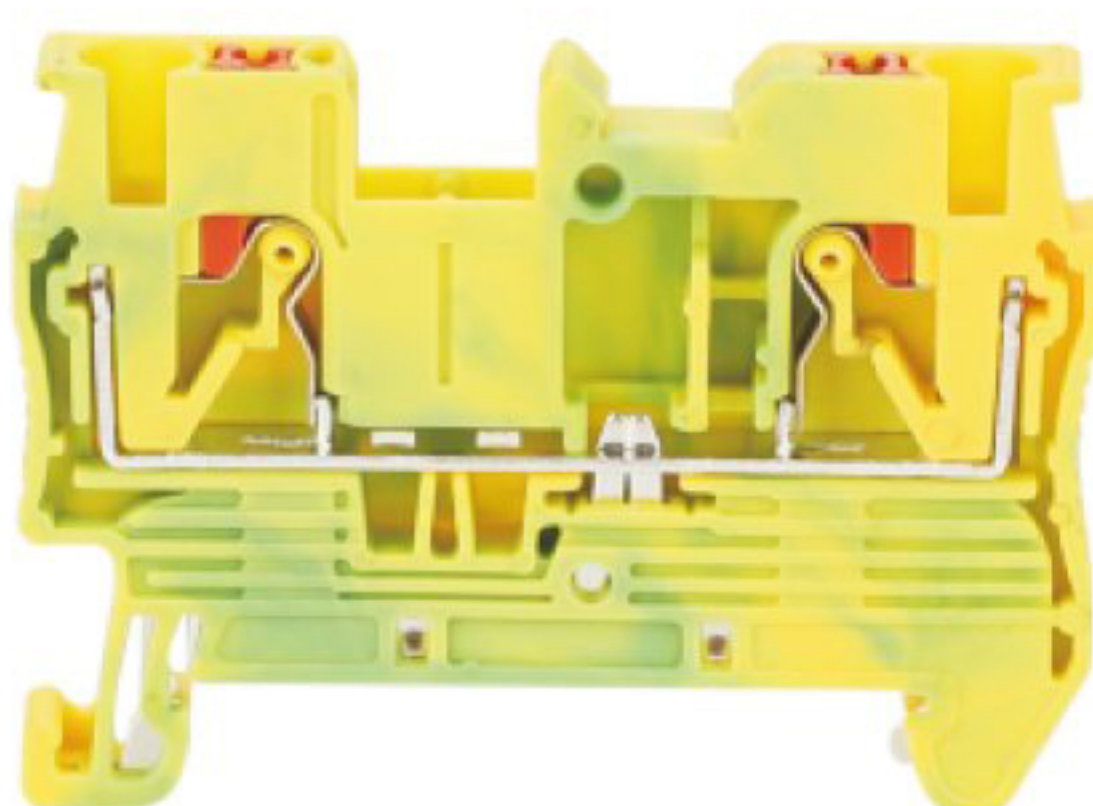
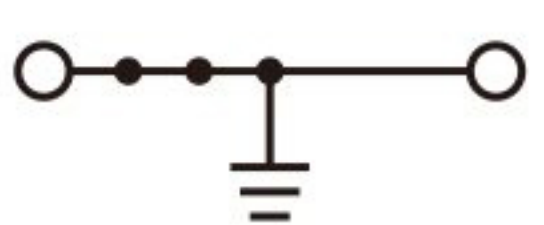
 ⑤ FBS 5-8 [100212025](#) 100

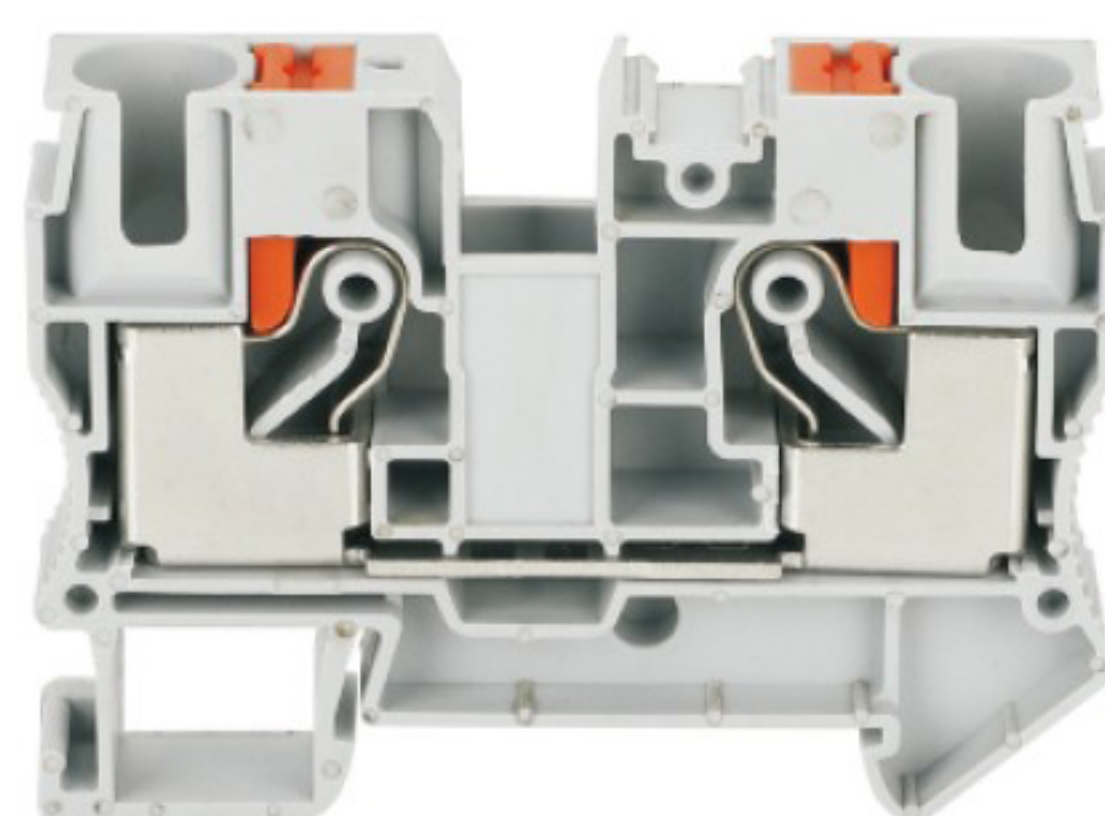
 ⑩ FBS 10-8 [100212021](#) 50

 ZB 8 [100222013](#) 100

 ZB 8 [100222014](#) 100

 ZB 8 [100222015](#) 100

**JPT 6-PE Ground Terminal Block**




Certificates  
Insulating material, Flammability rating

**Dimensions** (mm)

**Maximum electrical data**

Maximum bridge current (A)

**Electric parameter**

Rated voltage (V)

Nominal current (A)

Nominal cross section (mm<sup>2</sup>)

Connection capacity (mm<sup>2</sup>)

Description	Color
Terminal Block	<input type="radio"/> Grey <input checked="" type="radio"/> Blue <input type="radio"/> Orange
Ground Terminal Block	<input checked="" type="radio"/> Yellow/Green

**Accessories**

End cover

Partition plate

Plug-in bridge	Seats	Color
	2	<input checked="" type="radio"/> Red
	3	<input checked="" type="radio"/> Red
	4	<input checked="" type="radio"/> Red
	5	<input checked="" type="radio"/> Red
	10	<input checked="" type="radio"/> Red

Marker strip

Blank		White
Standard numbers		White
Customized words		White

**JPT 10 Push-in Terminal Block**

**Technical parameters**

CE RoHS	
PA, V0	
Width	Length
10.2	67.7
50.5	
I <sub>max</sub> (A)	U <sub>max</sub> (V)
70	1000
70	
IEC	UL
1000	600
57	-
10	-
Rigid conductor	Flexible conductor
0.5-16	0.5-10

**Ordering data**

Part No.	Order No.	Pcs/Pkt.
JPT 10	<a href="#">100105005</a>	40
JPT 10 BU	<a href="#">100105005BU</a>	40
JPT 10-PE	<a href="#">100106005</a>	40
D-JPT 10	<a href="#">100203003</a>	100
ATP-JST/JPT	<a href="#">100203012</a>	150
⑩ FBS 2-10	<a href="#">100212026</a>	50
ZB 10	<a href="#">100222016</a>	100
ZB 10	<a href="#">100222017</a>	100
ZB 10	<a href="#">100222018</a>	100

**JPT 10-PE Push-in Ground Terminal Block**

**JPT 16 Push-in Terminal Block**

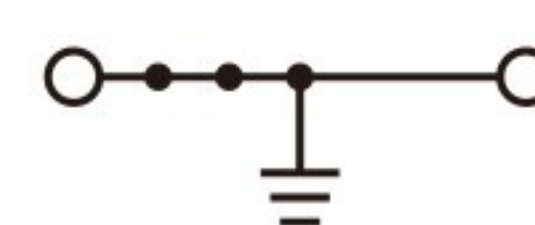
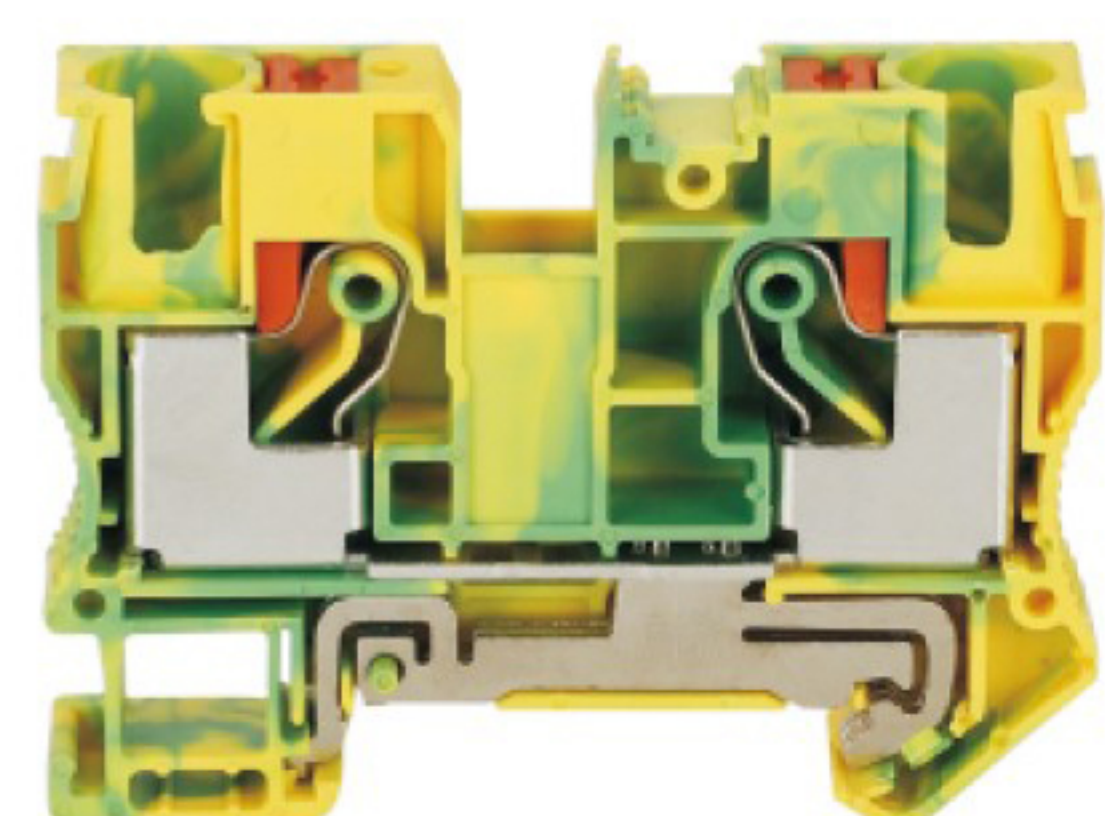
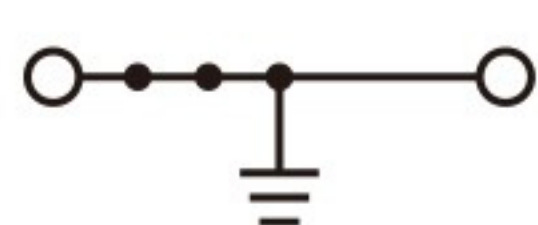
**Technical parameters**

CE RoHS	
PA, V0	
Width	Length
12.2	75.4
52.6	
I <sub>max</sub> (A)	U <sub>max</sub> (V)
90	1000
90	
IEC	UL
1000	-
76	-
16	-
Rigid conductor	Flexible conductor
0.5-25	0.5-16

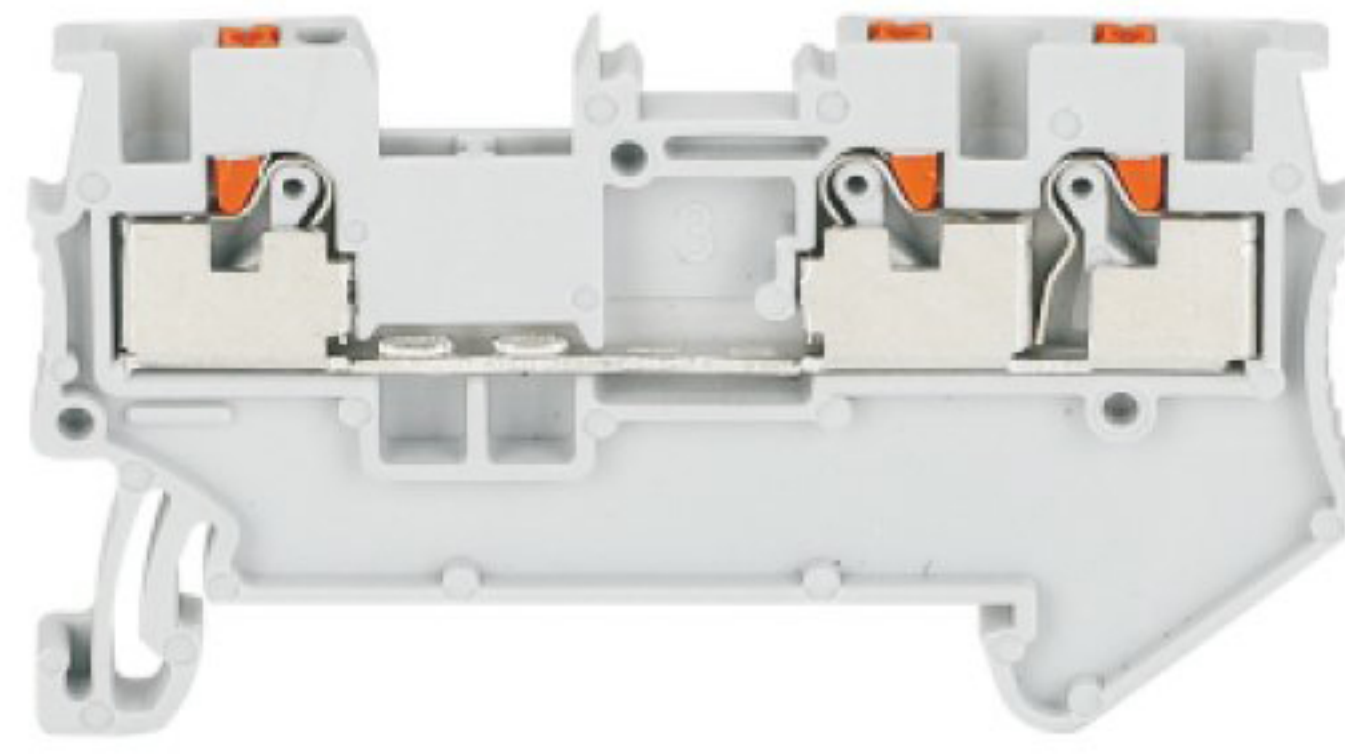
**Ordering data**

Part No.	Order No.	Pcs/Pkt.
JPT 16	<a href="#">100105006</a>	
JPT 16 BU	<a href="#">100105006BU</a>	
JPT 16-PE	<a href="#">100106006</a>	
D-JPT 16	<a href="#">100203004</a>	
ATP-JST/JPT	<a href="#">100203012</a>	150
⑩ FBS 2-12	<a href="#">100212027</a>	
ZB 10	<a href="#">100222016</a>	100
ZB 10	<a href="#">100222017</a>	100
ZB 10	<a href="#">100222018</a>	100

**JPT 16-PE Push-in Ground Terminal Block**



## 3 Connections Push-in Terminal Blocks



**JPT 1.5/S-TW 1 In 2 Out Push-in Terminal Block**

**Technical parameters**

CE RoHS

PA, V0

Width	Length	Height
3.5	54	32

I <sub>max</sub> (A)	U <sub>max</sub> (V)
17.5	500

17.5

IEC	UL
500	600

IEC	UL
17.5	-

Nominal current	(A)
17.5	-

Nominal cross section	(mm <sup>2</sup> )
1.5	-

Rigid conductor	Flexible conductor
0.14-1.5	0.14-1.5

Rigid conductor	Flexible conductor
0.14-1.5	0.14-1.5

**Ordering data**

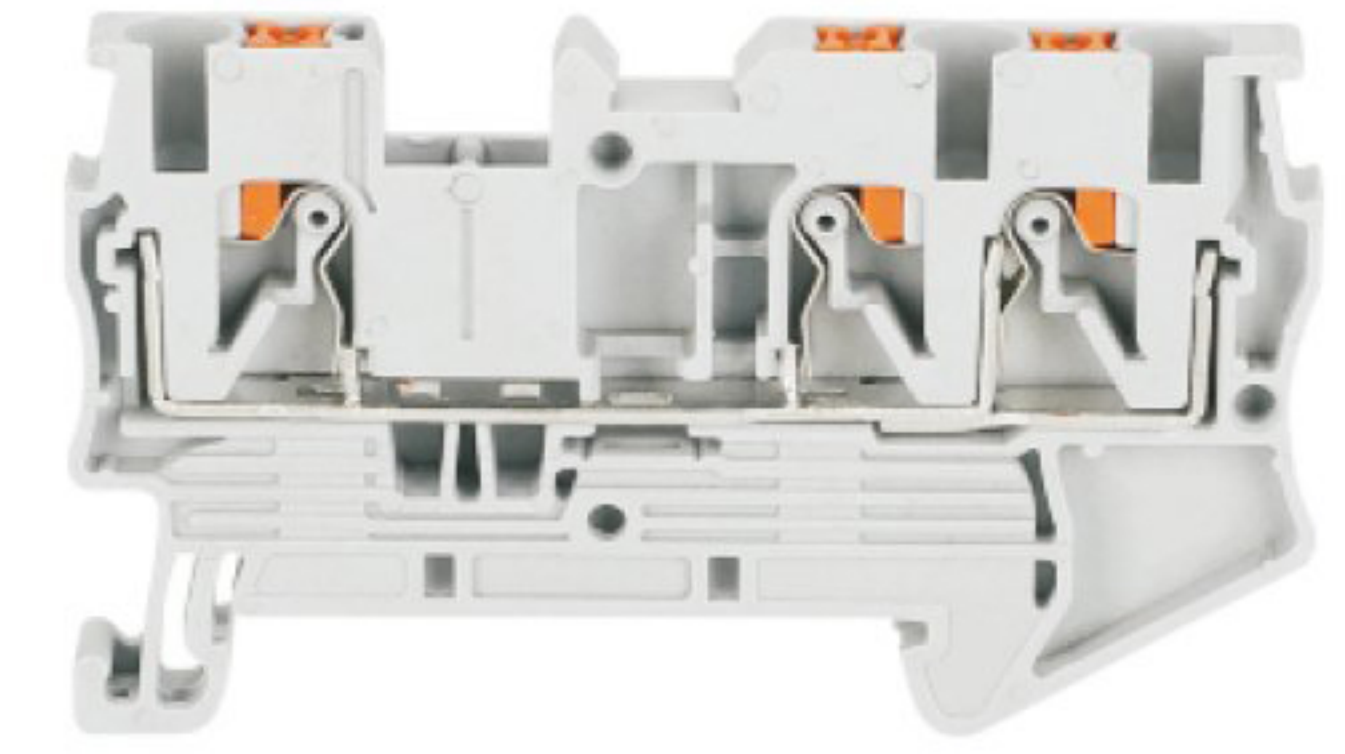
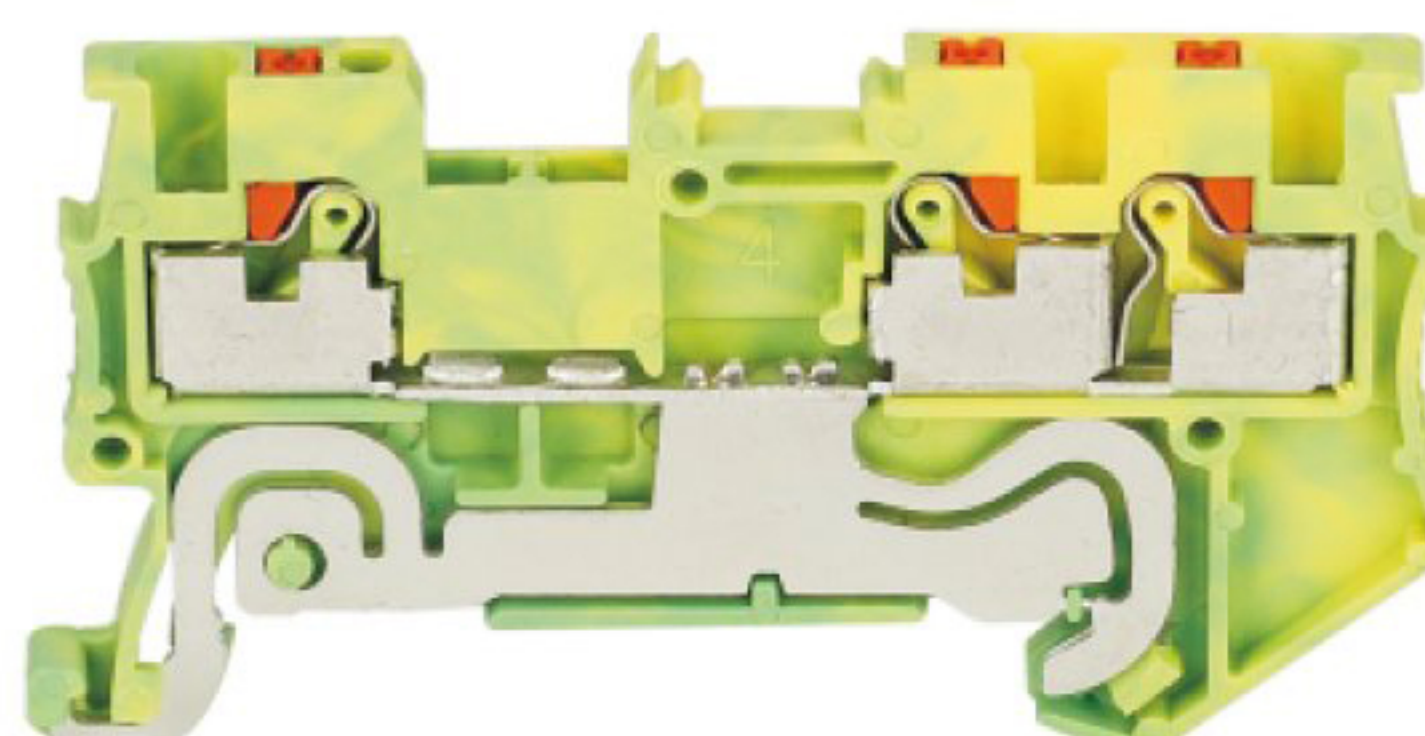
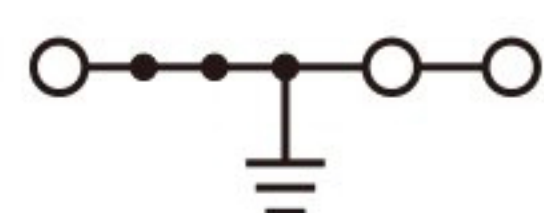
Part No.	Order No.	Pcs/Pkt.
JPT 1.5/S-TW	<a href="#">100105007</a>	80
JPT 1.5/S-TW BU	<a href="#">100105007BU</a>	80
JPT 1.5/S-TW-PE	<a href="#">100106007</a>	80

D-JPT 1.5/S-TW	<a href="#">100203005</a>	100
ATP-JST/JPT	<a href="#">100203012</a>	150

② FBS 2-3.5	<a href="#">100212002</a>	100
③ FBS 3-3.5	<a href="#">100212003</a>	100
④ FBS 4-3.5	<a href="#">100212004</a>	100
⑤ FBS 5-3.5	<a href="#">100212005</a>	100
⑩ FBS 10-3.5	<a href="#">100212001</a>	50

ZB 3.5	<a href="#">100222001</a>	100
ZB 3.5	<a href="#">100222002</a>	100
ZB 3.5	<a href="#">100222003</a>	100

**JPT 1.5/S-TW-PE 1 In 2 Out Push-in Ground Terminal Block**



**JPT 2.5-TW 1 In 2 Out Push-in Terminal Block**

**Technical parameters**

CE RoHS

PA, V0

Width	Length	Height
5.2	60.5	36.5

I <sub>max</sub> (A)	U <sub>max</sub> (V)
31	800

31

IEC	UL
800	600

IEC	UL
24	-

Nominal current	(A)
24	-

Nominal cross section	(mm <sup>2</sup> )
2.5	-

Rigid conductor	Flexible conductor
0.14-4	0.14-2.5

Rigid conductor	Flexible conductor
0.14-4	0.14-2.5

**Ordering data**

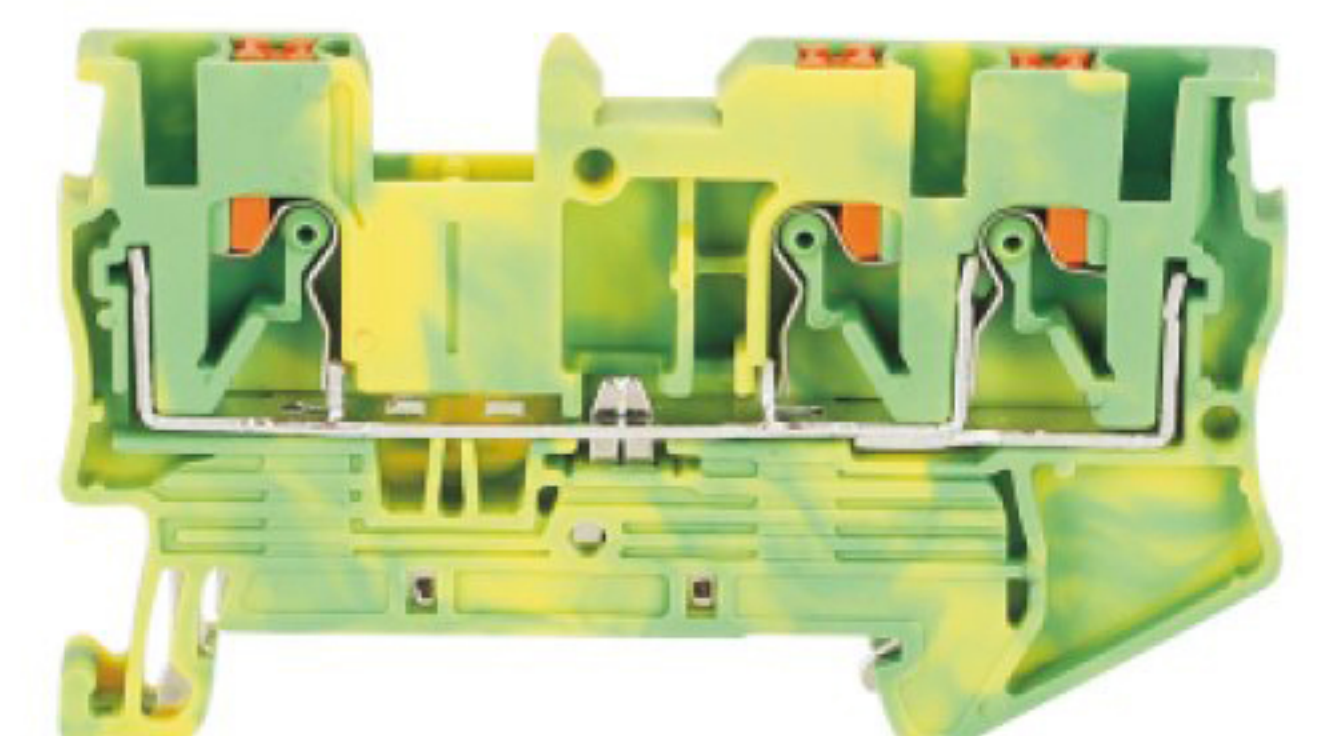
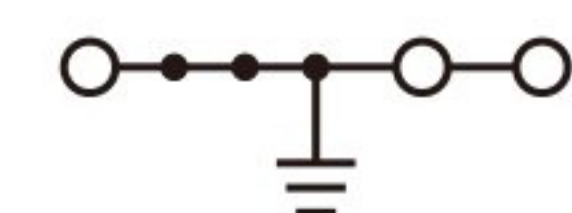
Part No.	Order No.	Pcs/Pkt.
JPT 2.5-TW	<a href="#">100105008</a>	50
JPT 2.5-TW BU	<a href="#">100105008BU</a>	50
JPT 2.5-TW-PE	<a href="#">100106008</a>	50

D-JST 2.5-TW	<a href="#">100202005</a>	100
ATP-JST/JPT	<a href="#">100203012</a>	150

② FBS 2-5	<a href="#">100212012</a>	200
③ FBS 3-5	<a href="#">100212013</a>	100
④ FBS 4-5	<a href="#">100212014</a>	100
⑤ FBS 5-5	<a href="#">100212015</a>	100
⑩ FBS 10-5	<a href="#">100212011</a>	50

ZB 5	<a href="#">100222007</a>	100
ZB 5	<a href="#">100222008</a>	100
ZB 5	<a href="#">100222009</a>	100

**JPT 2.5-TW-PE 1 In 2 Out Push-in Ground Terminal Block**



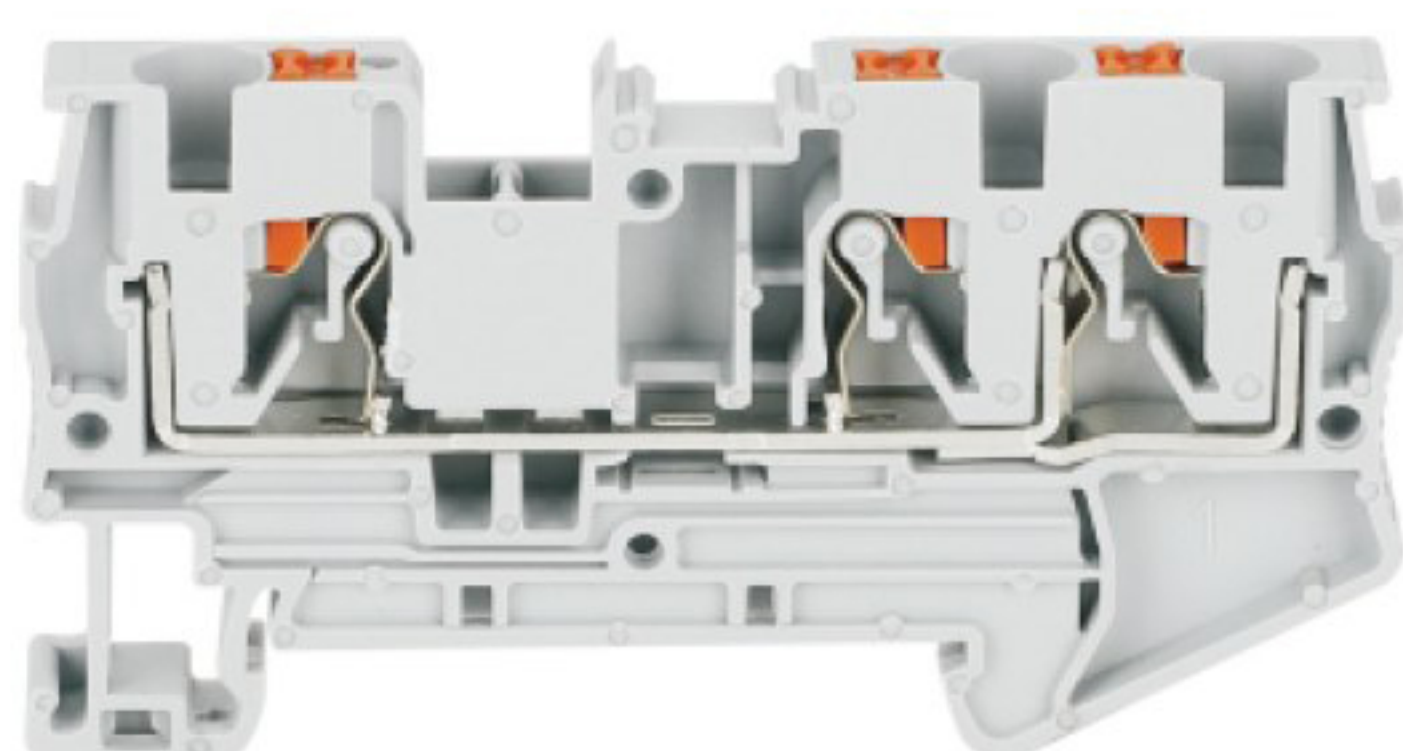
Certificates	
Insulating material, Flammability rating	
<b>Dimensions</b>	(mm)
<b>Maximum electrical data</b>	
Maximum bridge current	(A)
<b>Electric parameter</b>	
Rated voltage	(V)
Nominal current	(A)
Nominal cross section	(mm <sup>2</sup> )
Connection capacity	(mm <sup>2</sup> )

Description	Color
Terminal Block	<input type="radio"/> Grey <input type="radio"/> Blue <input type="radio"/> Orange
Ground Terminal Block	<input type="radio"/> Yellow/Green

**Accessories**

End cover	
Partition plate	
Plug-in bridge	Seats
	2 <input type="radio"/> Red
	3 <input type="radio"/> Red
	4 <input type="radio"/> Red
	5 <input type="radio"/> Red
	10 <input type="radio"/> Red

Marker strip	
Blank	White
Standard numbers	White
Customized words	White



Certificates	
Insulating material, Flammability rating	
<b>Dimensions</b>	(mm)
<b>Maximum electrical data</b>	
Maximum bridge current	(A)
<b>Electric parameter</b>	
Rated voltage	(V)
Nominal current	(A)
Nominal cross section	(mm <sup>2</sup> )
Connection capacity	(mm <sup>2</sup> )

Description	Color
Terminal Block	<input type="radio"/> Grey <input type="radio"/> Blue <input type="radio"/> Orange <input type="radio"/> Yellow/Green
Ground Terminal Block	<input type="radio"/> Yellow/Green

**Accessories**

End cover	
Partition plate	
Plug-in bridge	Seats
	2 <input type="radio"/> Red 3 <input type="radio"/> Red 4 <input type="radio"/> Red 5 <input type="radio"/> Red 10 <input type="radio"/> Red
Marker strip	
Blank	White
Standard numbers	White
Customized words	White

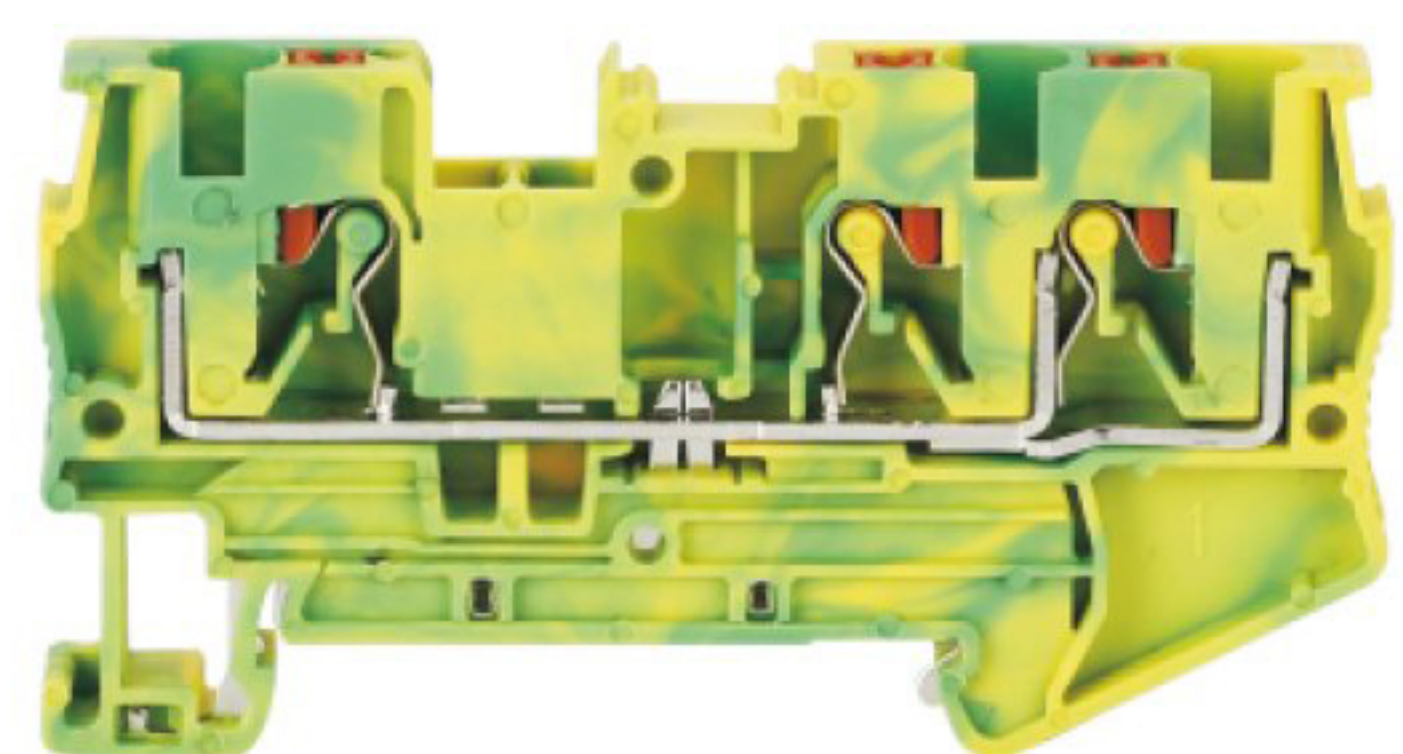
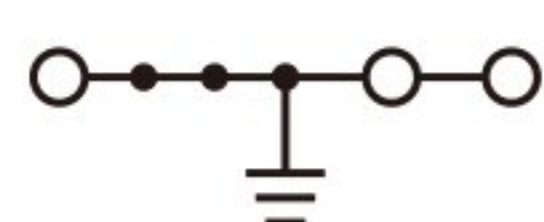
**JPT 4-TW 1 In 2 Out Push-in Terminal Block**

Technical parameters		
CE RoHS		
PA, V0		
Width	Length	Height
6.2	66.5	36.5
I <sub>max</sub> (A)	U <sub>max</sub> (V)	
41	800	
41		
IEC		UL
800		600
32		-
4		-
Rigid conductor		Flexible conductor
0.2-6		0.2-4

**Ordering data**

Part No.	Order No.	Pcs/Pkt.
JPT 4-TW	<a href="#">100105009</a>	50
JPT 4-TW BU	<a href="#">100105009BU</a>	50
JPT 4-TW-PE	<a href="#">100106009</a>	50
D-JPT 4-TW	<a href="#">100203006</a>	100
ATP-JST/JPT	<a href="#">100203012</a>	150
② FBS 2-6	<a href="#">100212017</a>	200
③ FBS 3-6	<a href="#">100212018</a>	100
④ FBS 4-6	<a href="#">100212019</a>	100
⑤ FBS 5-6	<a href="#">100212020</a>	100
⑩ FBS 10-6	<a href="#">100212016</a>	50
ZB 6	<a href="#">100222010</a>	100
ZB 6	<a href="#">100222011</a>	100
ZB 6	<a href="#">100222012</a>	100

**JPT 4-TW-PE 1 In 2 Out Push-in Ground Terminal Block**



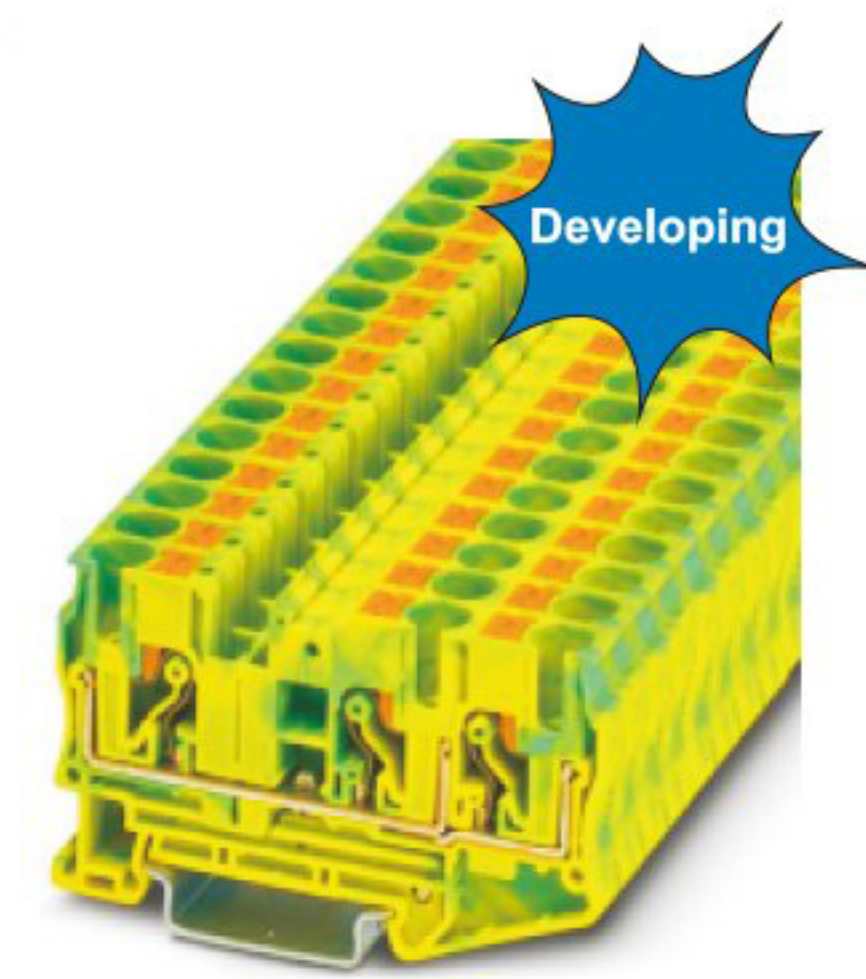
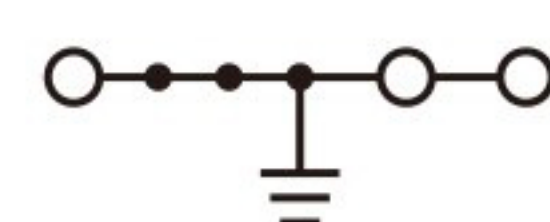
**JPT 6-TW1 In 2 Out Push-in Terminal Block**

Technical parameters		
CE RoHS		
PA, V0		
Width	Length	Height
8.2	74.2	43.5
I <sub>max</sub> (A)	U <sub>max</sub> (V)	
57	1000	
57		
IEC		UL
1000		600
41		-
6		-
Rigid conductor		Flexible conductor
0.5-10		0.5-6

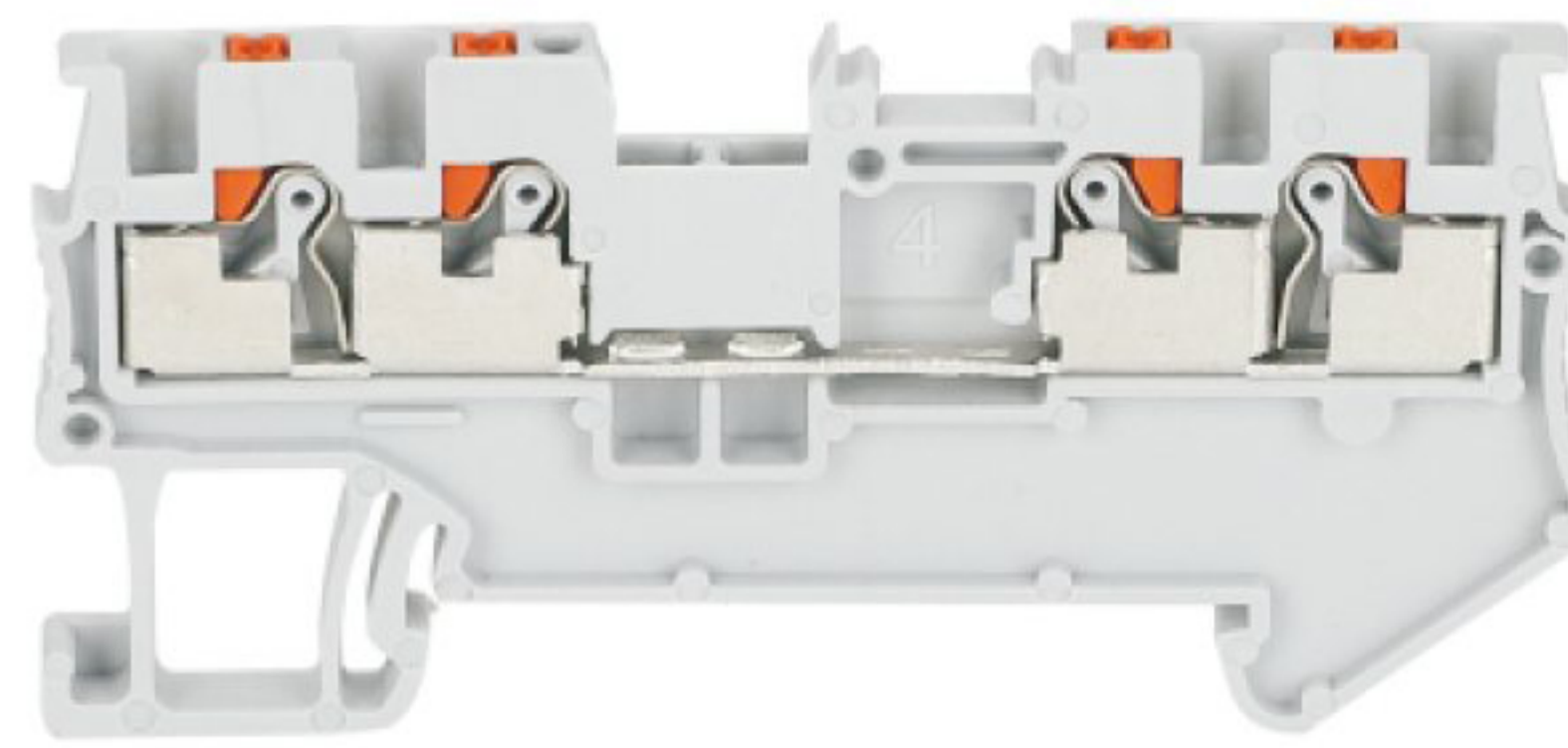
**Ordering data**

Part No.	Order No.	Pcs/Pkt.
JPT 6-TW	<a href="#">100105024</a>	
JPT 6-TW BU	<a href="#">100105024BU</a>	
JPT 6-TW-PE	<a href="#">100106016</a>	
D-JPT 6-TW	<a href="#">100203014</a>	
ATP-JST/JPT	<a href="#">100203012</a>	150
② FBS 2-8	<a href="#">100212022</a>	100
③ FBS 3-8	<a href="#">100212023</a>	100
④ FBS 4-8	<a href="#">100212024</a>	100
⑤ FBS 5-8	<a href="#">100212025</a>	100
⑩ FBS 10-8	<a href="#">100212021</a>	50
ZB 8	<a href="#">100222013</a>	100
ZB 8	<a href="#">100222014</a>	100
ZB 8	<a href="#">100222015</a>	100

**JPT 6-TW-PE 1 In 2 Out Push-in Ground Terminal Block**



## 4 Connections Push-in Terminal Blocks



**JPT 1.5/S-QU 2 In 2 Out Push-in Terminal Block**

### Technical parameters

CE RoHS

PA, V0

Width	Length	Height
3.5	63.5	32

$I_{max}$ (A)	$U_{max}$ (V)
17.5	800

17.5

IEC	UL
500	800

Rated voltage	Nominal current
500	17.5

17.5

1.5

Rigid conductor	Flexible conductor
0.14-1.5	0.14-1.5

0.14-1.5

### Ordering data

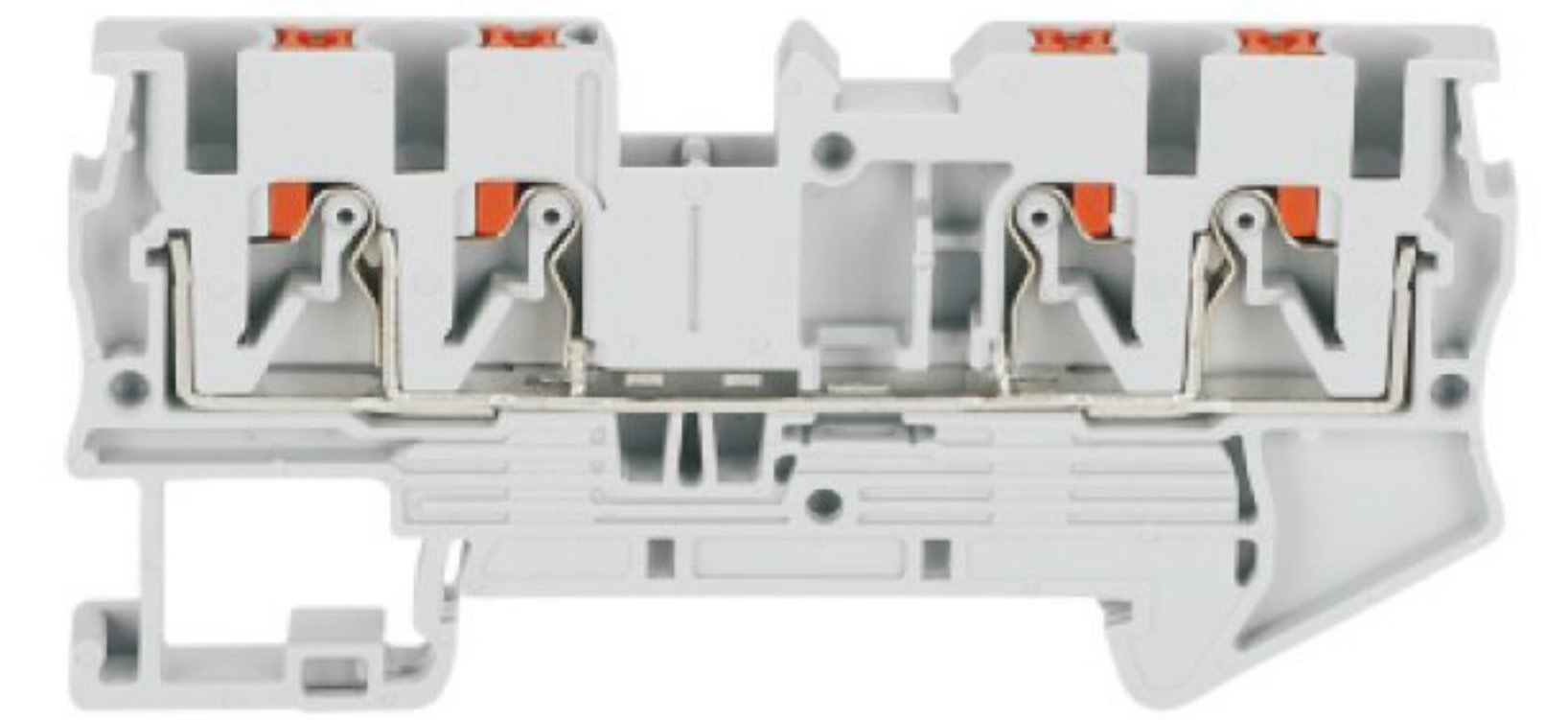
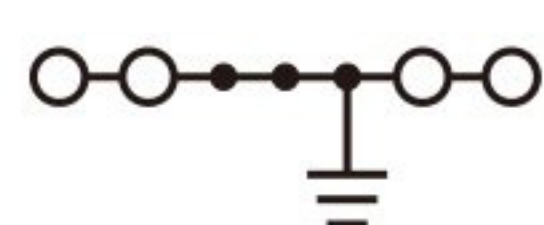
Part No.	Order No.	Pcs/Pkt.
JPT 1.5/S-QU	<a href="#">100105010</a>	100
JPT 1.5/S-QU BU	<a href="#">100105010BU</a>	100
JPT 1.5/S-QU-PE	<a href="#">100106010</a>	100

D-JPT 1.5/S-QU	<a href="#">100203013</a>	100
ATP-JST/JPT	<a href="#">100203012</a>	150

② FBS 2-3.5	<a href="#">100212002</a>	100
③ FBS 3-3.5	<a href="#">100212003</a>	100
④ FBS 4-3.5	<a href="#">100212004</a>	100
⑤ FBS 5-3.5	<a href="#">100212005</a>	100
⑩ FBS 10-3.5	<a href="#">100212001</a>	50

ZB 3.5	<a href="#">100222001</a>	100
ZB 3.5	<a href="#">100222002</a>	100
ZB 3.5	<a href="#">100222003</a>	100

**JPT 1.5/S-QU-PE 2 In 2 Out Push-in Ground Terminal Block**



**JPT 2.5-QU 2 In 2 Out Push-in Terminal Block**

### Technical parameters

CE RoHS

PA, V0

Width	Length	Height
5.2	72.5	36.5

$I_{max}$ (A)	$U_{max}$ (V)
31	1000

31

IEC	UL
800	600

24

2.5

Rigid conductor	Flexible conductor
0.14-4	0.14-2.5

0.14-4

### Ordering data

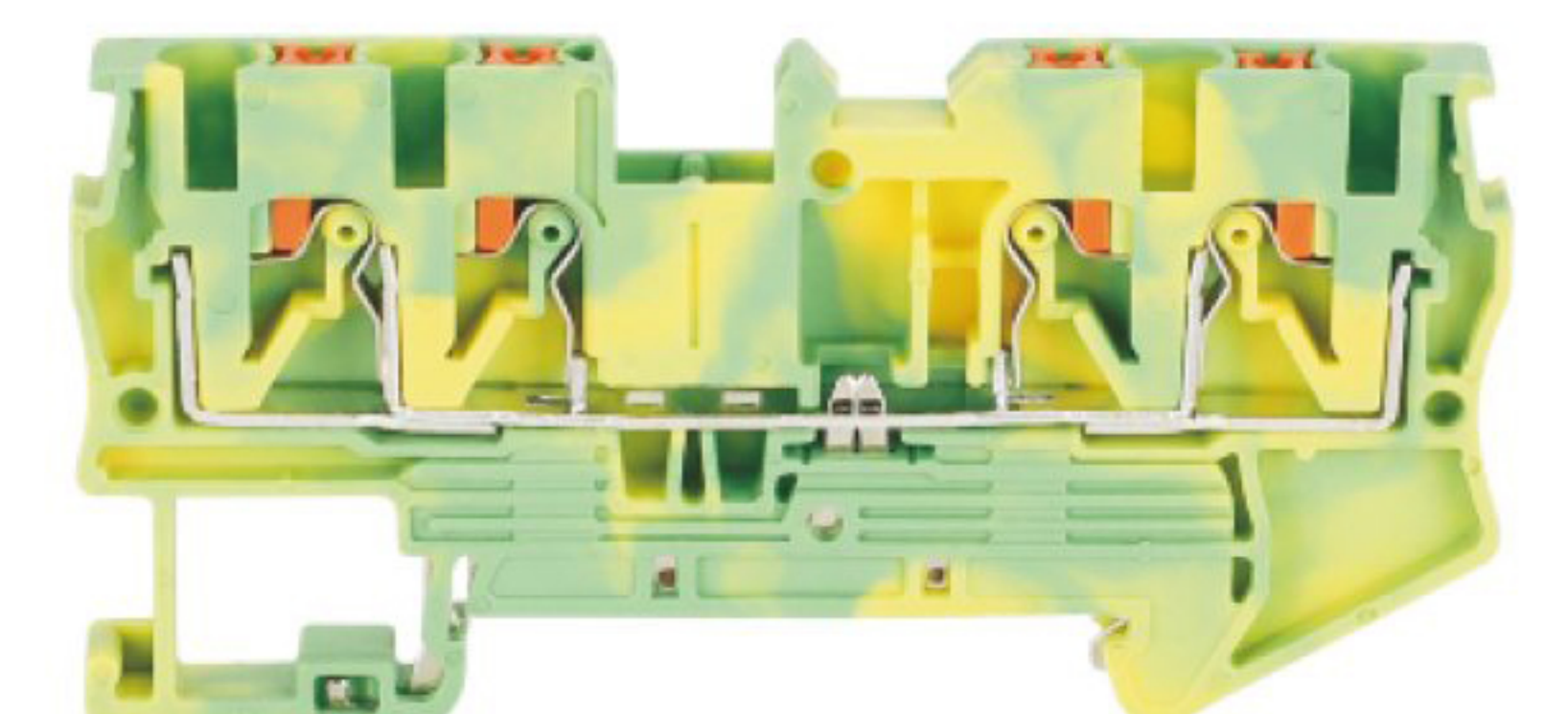
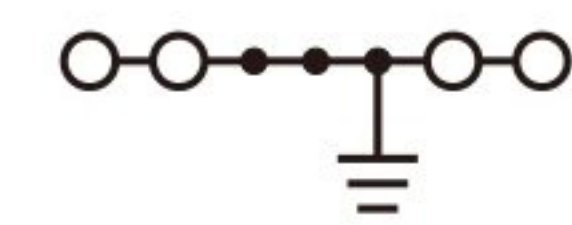
Part No.	Order No.	Pcs/Pkt.
JPT 2.5-QU	<a href="#">100105011</a>	50
JPT 2.5-QU BU	<a href="#">100105011BU</a>	50
JPT 2.5-QU-PE	<a href="#">100106011</a>	50

D-JST 2.5-QU	<a href="#">100202007</a>	100
ATP-JST/JPT	<a href="#">100203012</a>	150

② FBS 2-5	<a href="#">100212012</a>	200
③ FBS 3-5	<a href="#">100212013</a>	100
④ FBS 4-5	<a href="#">100212014</a>	100
⑤ FBS 5-5	<a href="#">100212015</a>	100
⑩ FBS 10-5	<a href="#">100212011</a>	50

ZB 5	<a href="#">100222007</a>	100
ZB 5	<a href="#">100222008</a>	100
ZB 5	<a href="#">100222009</a>	100

**JPT 2.5-QU-PE 2 In 2 Out Push-in Ground Terminal Block**



Certificates

Insulating material, Flammability rating

### Dimensions

(mm)

### Maximum electrical data

Maximum bridge current

(A)

### Electric parameter

Rated voltage

(V)

Nominal current

(A)

Nominal cross section

(mm<sup>2</sup>)

Connection capacity

(mm<sup>2</sup>)

Description

Color

Terminal Block

● Grey

● Blue

● Orange

Ground Terminal Block

● Yellow/Green

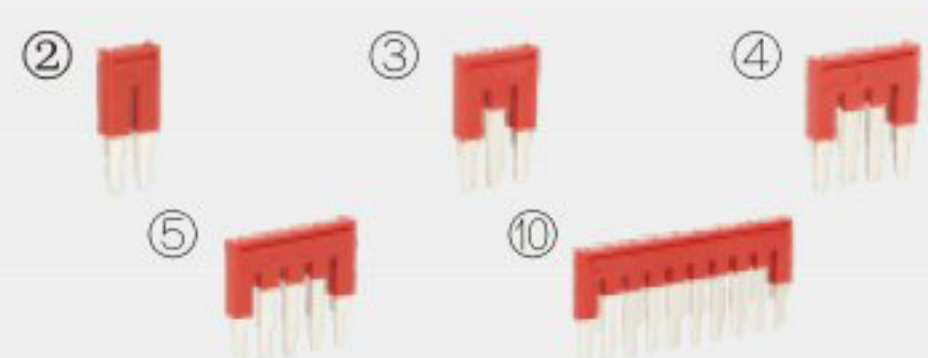
### Accessories

End cover

Partition plate

Plug-in bridge

Seats



● Red

● Red

● Red

● Red

● Red

Marker strip

Blank

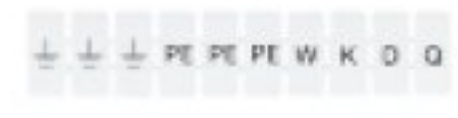
White

Standard numbers

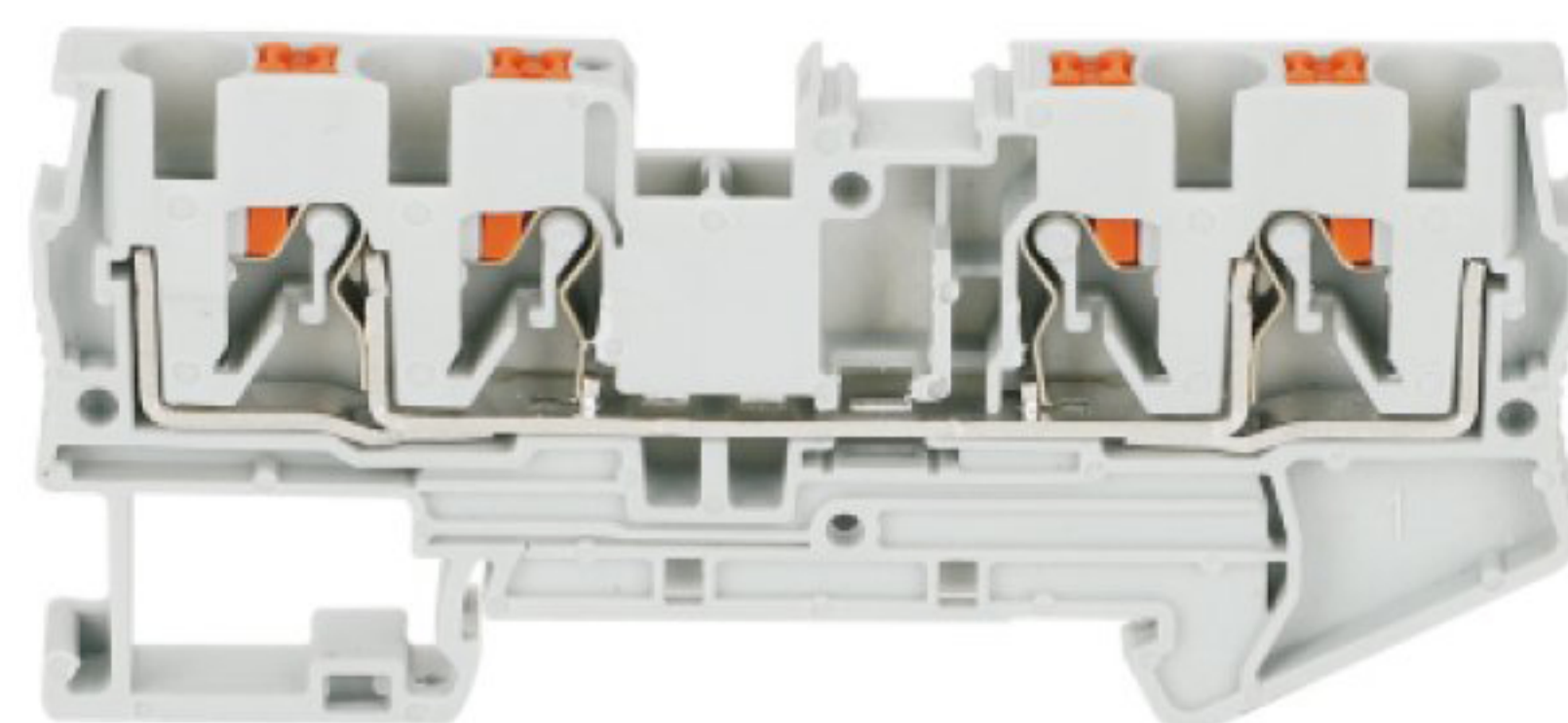


White

Customized words



White



Certificates  
Insulating material, Flammability rating

**Dimensions** (mm)

**Maximum electrical data**

Maximum bridge current (A)

**Electric parameter**

Rated voltage (V)

Nominal current (A)

Nominal cross section (mm<sup>2</sup>)

Connection capacity (mm<sup>2</sup>)

Description	Color
Terminal Block	<input type="radio"/> Grey <input type="radio"/> Blue <input type="radio"/> Orange
Ground Terminal Block	<input type="radio"/> Yellow/Green

**Accessories**

End cover

Partition plate

Plug-in bridge	Seats	Color
	2	Red
	3	Red
	4	Red
	5	Red
	10	Red

Marker strip

Blank White

Standard numbers White

Customized words White

**JPT 4-QU 2 In 2 Out Push-in Terminal Block**

**Technical parameters**

CE RoHS	
PA, V0	
Width	Length
6.2	77
36.5	
I <sub>max</sub> (A)	U <sub>max</sub> (V)
41	800
41	
IEC	UL
800	600
32	-
4	-
Rigid conductor	Flexible conductor
0.2-6	0.2-4

**Ordering data**

Part No.	Order No.	Pcs/Pkt.
JPT 4-QU	<a href="#">100105012</a>	50
JPT 4-QU BU	<a href="#">100105012BU</a>	50
JPT 4-QU-PE	<a href="#">100106009</a>	50
D-JPT 4-QU	<a href="#">100203007</a>	100
ATP-JST/JPT	<a href="#">100203012</a>	150
② FBS 2-6	<a href="#">100212017</a>	200
③ FBS 3-6	<a href="#">100212018</a>	100
④ FBS 4-6	<a href="#">100212019</a>	100
⑤ FBS 5-6	<a href="#">100212020</a>	100
⑩ FBS 10-6	<a href="#">100212016</a>	50
ZB 6	<a href="#">100222010</a>	100
ZB 6	<a href="#">100222011</a>	100
ZB 6	<a href="#">100222012</a>	100

**JPT 4-QU-PE 2 In 2 Out Push-in Ground Terminal Block**

**JPT 6-QU 2 In 2 Out Push-in Terminal Block**

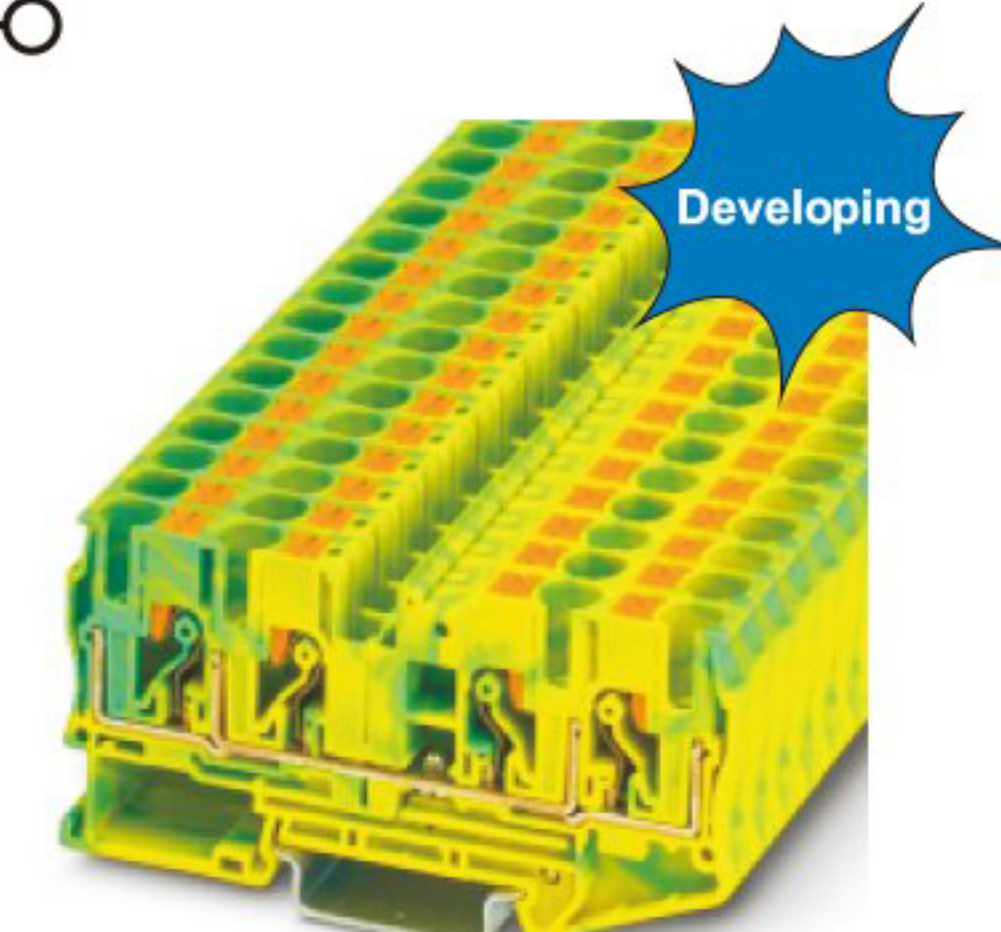
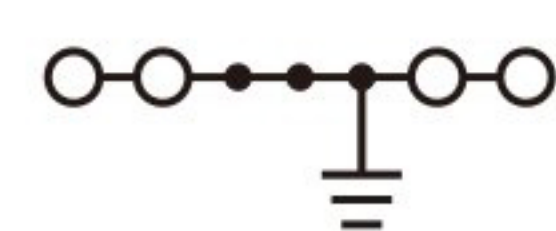
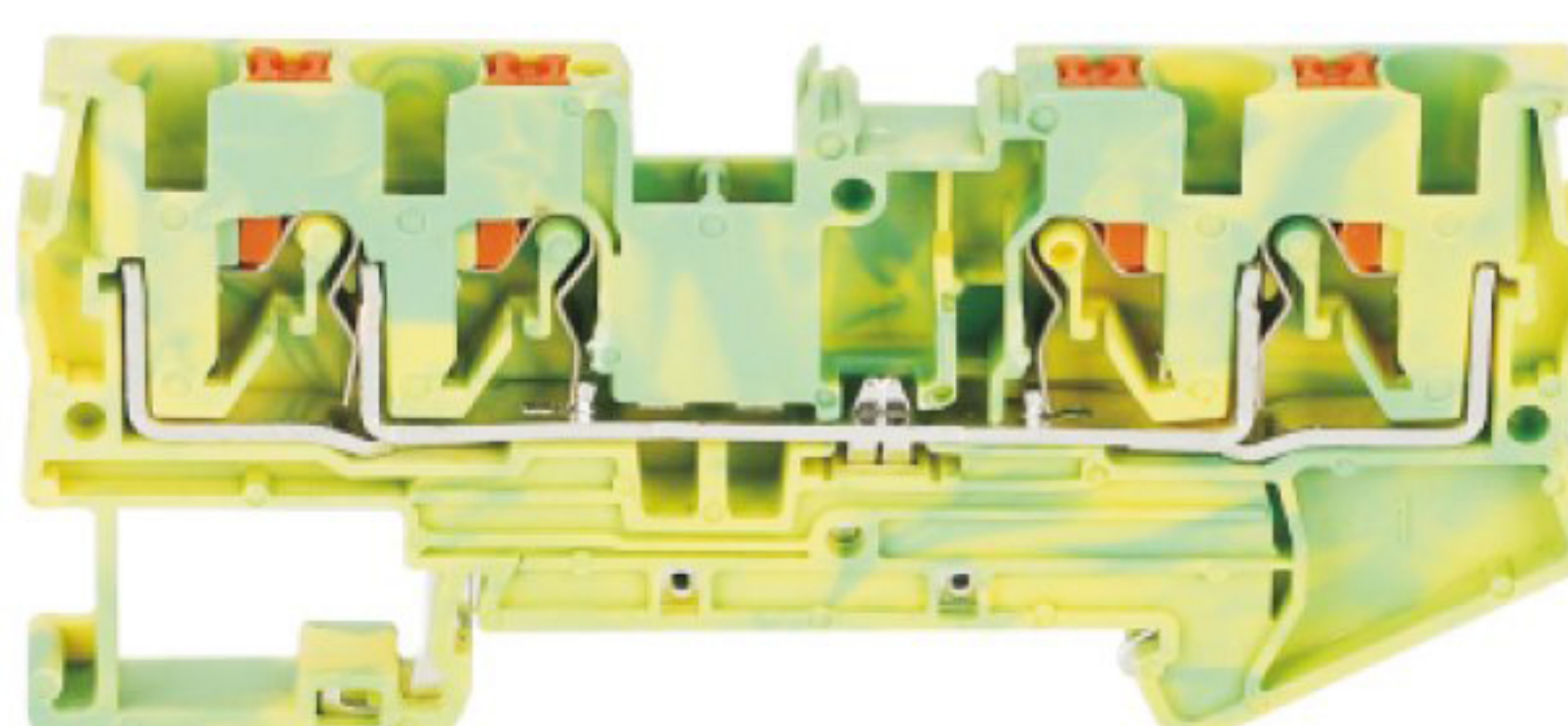
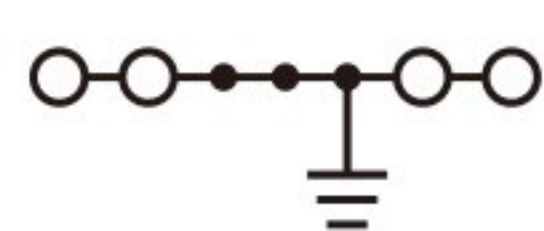
**Technical parameters**

CE RoHS	
PA, V0	
Width	Length
8.2	90.5
42.2	
I <sub>max</sub> (A)	U <sub>max</sub> (V)
57	1000
57	
IEC	UL
1000	600
41	-
10	-
Rigid conductor	Flexible conductor
0.5-10	0.5-10

**Ordering data**

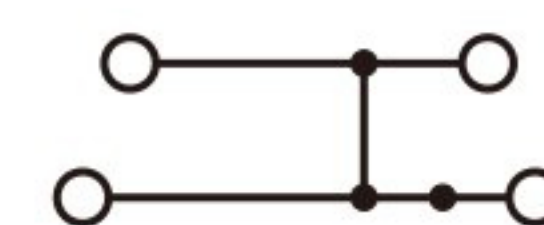
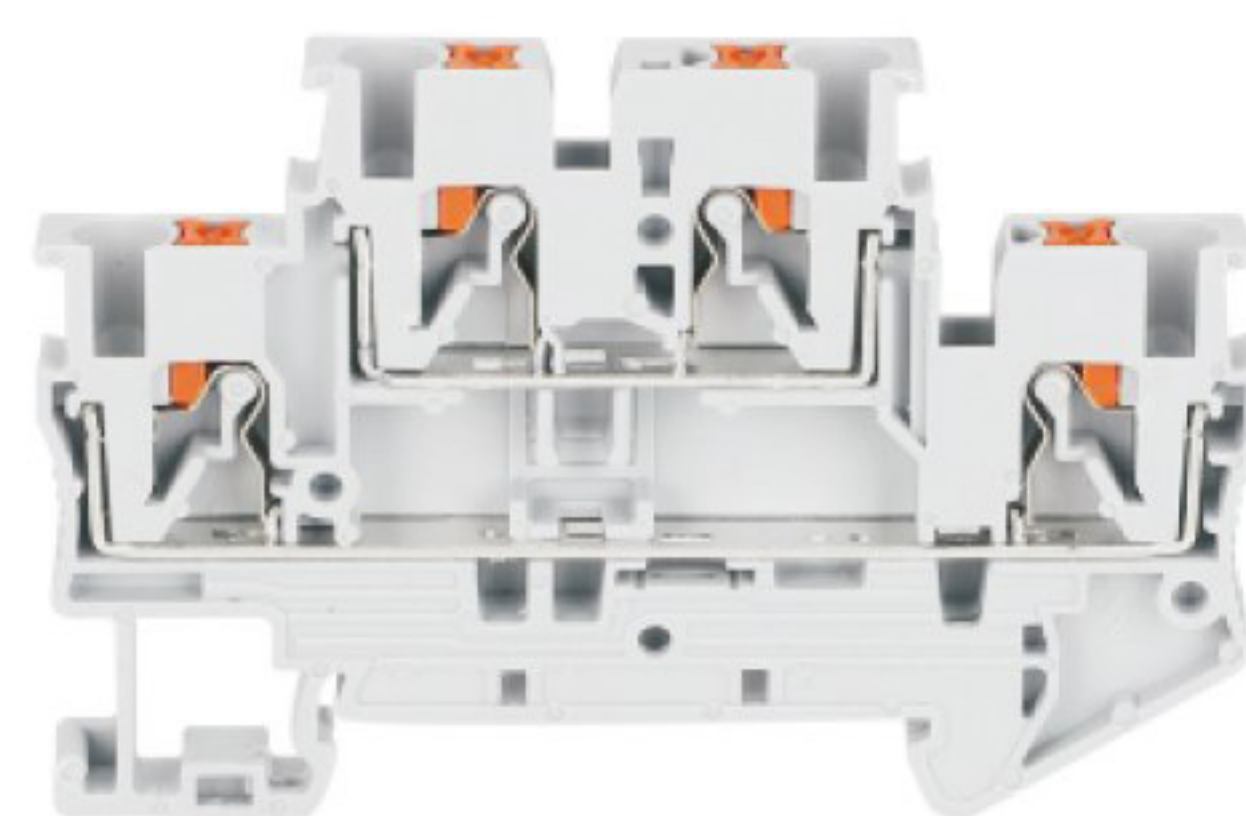
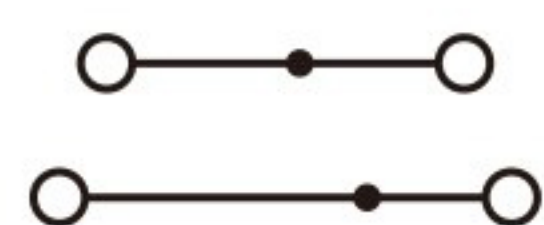
Part No.	Order No.	Pcs/Pkt.
JPT 6-QU	<a href="#">100105025</a>	
JPT 6-QU BU	<a href="#">100105025BU</a>	
JPT 6-QU-PE	<a href="#">100106017</a>	
D-JPT 6-QU	<a href="#">100203015</a>	
ATP-JST/JPT	<a href="#">100203012</a>	150
② FBS 2-8	<a href="#">100212022</a>	100
③ FBS 3-8	<a href="#">100212023</a>	100
④ FBS 4-8	<a href="#">100212024</a>	100
⑤ FBS 5-8	<a href="#">100212025</a>	100
⑩ FBS 10-8	<a href="#">100212021</a>	50
ZB 8	<a href="#">100222013</a>	100
ZB 8	<a href="#">100222014</a>	100
ZB 8	<a href="#">100222015</a>	100

**JPT 6-QU-PE 2 In 2 Out Push-in Ground Terminal Block**





## Double Levels Push-in Terminal Blocks



### JPTTB 2.5 Double Levels Push-in Terminal Block

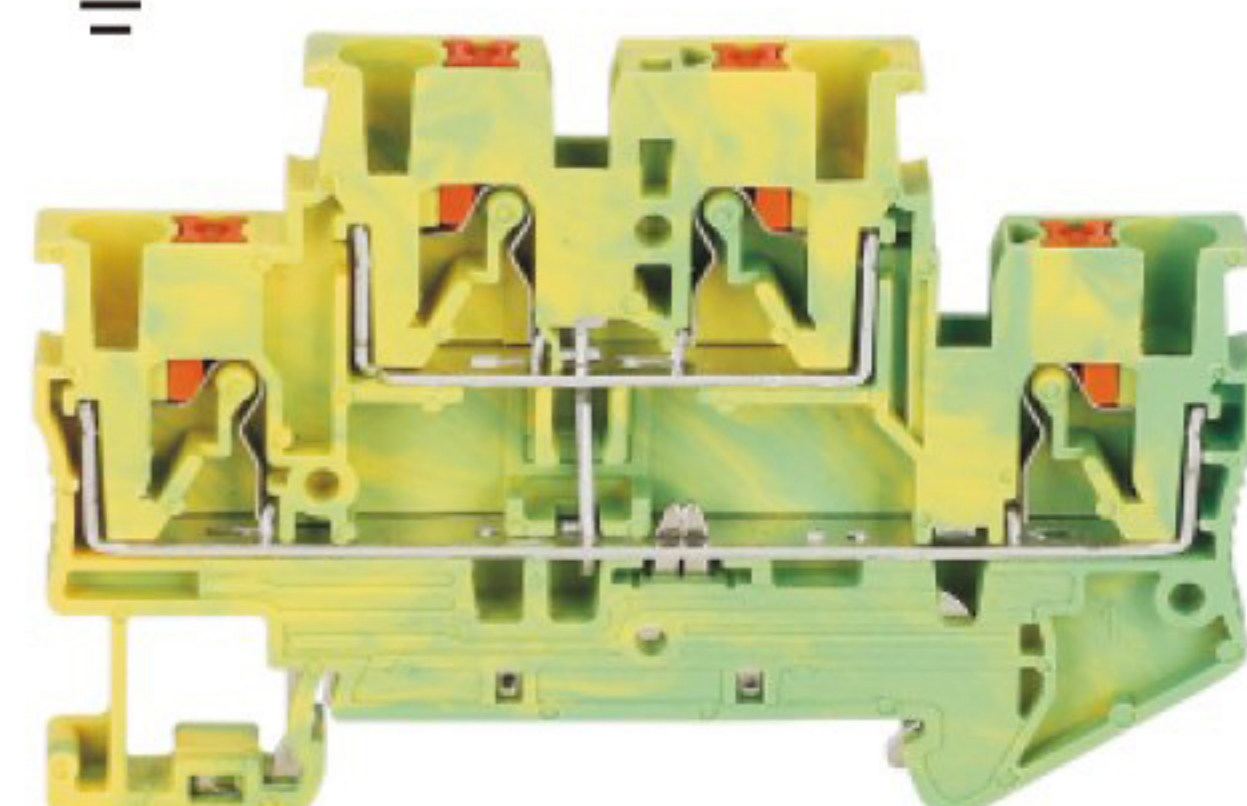
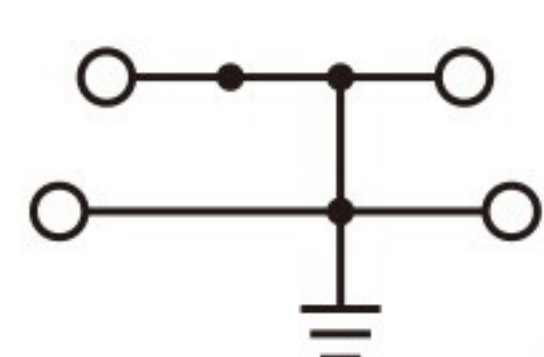
#### Technical parameters

CE RoHS		
PA, V0		
Width	Length	Height
5.2	68	47.5
I <sub>max</sub> (A)	U <sub>max</sub> (V)	
26	500	
26		
IEC	UL	
500	600	
22	-	
2.5	-	
Rigid conductor	Flexible conductor	
0.14-4	0.14-2.5	

#### Ordering data

Part No.	Order No.	Pcs/Pkt.
JPTTB 2.5	<a href="#">100105015</a>	50
JPTTB 2.5 BU	<a href="#">100105015BU</a>	50
JPTTB 2.5-PE	<a href="#">100106014</a>	50
D-JPTTB 2.5	<a href="#">100203009</a>	100
ATP-JST/JPT	<a href="#">100203012</a>	150
② FBS 2-5	<a href="#">100212012</a>	200
③ FBS 3-5	<a href="#">100212013</a>	100
④ FBS 4-5	<a href="#">100212014</a>	100
⑤ FBS 5-5	<a href="#">100212015</a>	100
⑩ FBS 10-5	<a href="#">100212011</a>	50
ZBFM 5	<a href="#">100222022</a>	100
ZBFM 5	<a href="#">100222023</a>	100
ZBFM 5	<a href="#">100222024</a>	100

### JPTTB 2.5-PE Double Levels Push-in Ground Terminal Block



### JPTTB 2.5-PV Double Levels Push-in Terminal Block with equipotential bonder

#### Technical parameters

CE RoHS		
PA, V0		
Width	Length	Height
5.2	68	47.5
I <sub>max</sub> (A)	U <sub>max</sub> (V)	
26	500	
26		
IEC	UL	
500	600	
22	-	
2.5	-	
Rigid conductor	Flexible conductor	
0.14-4	0.14-2.5	

#### Ordering data

Part No.	Order No.	Pcs/Pkt.
JPTTB 2.5-PV	<a href="#">100105016</a>	50
JPTTB 2.5-PV BU	<a href="#">100105016BU</a>	50
D-JPTTB 2.5	<a href="#">100203009</a>	100
ATP-JST/JPT	<a href="#">100203012</a>	150
② FBS 2-5	<a href="#">100212012</a>	200
③ FBS 3-5	<a href="#">100212013</a>	100
④ FBS 4-5	<a href="#">100212014</a>	100
⑤ FBS 5-5	<a href="#">100212015</a>	100
⑩ FBS 10-5	<a href="#">100212011</a>	50
ZBFM 5	<a href="#">100222022</a>	100
ZBFM 5	<a href="#">100222023</a>	100
ZBFM 5	<a href="#">100222024</a>	100

Certificates  
Insulating material, Flammability rating

**Dimensions** (mm)

**Maximum electrical data**

Maximum bridge current (A)

**Electric parameter**

Rated voltage (V)

Nominal current (A)

Nominal cross section (mm<sup>2</sup>)

Connection capacity (mm<sup>2</sup>)

Description	Color
Terminal Block	<input type="radio"/> Grey <input checked="" type="radio"/> Blue <input type="radio"/> Orange
Ground Terminal Block	<input checked="" type="radio"/> Yellow/Green

#### Accessories

End cover

Partition plate

Plug-in bridge

Seats	Color
2	<input checked="" type="radio"/> Red
3	<input checked="" type="radio"/> Red
4	<input checked="" type="radio"/> Red
5	<input checked="" type="radio"/> Red
10	<input checked="" type="radio"/> Red

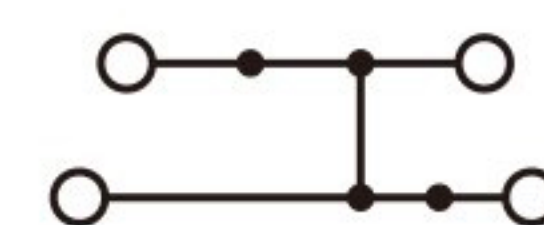
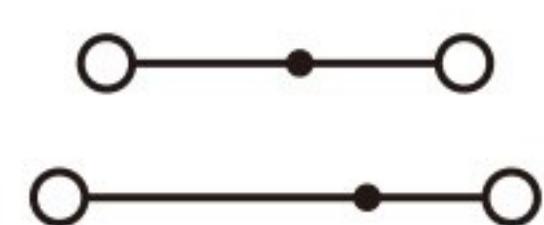
Marker strip

Blank White

Standard numbers White

Customized words White

## Double Levels Push-in Terminal Blocks



### JPTTB 4 Double Levels Push-in Terminal Block

#### Technical parameters

CE RoHS

PA, V0

Width	Length	Height
6.2	83.5	47.5

$I_{max}(A)$	$U_{max}(V)$
32	500

32

IEC	UL
500	600

Rated voltage	Nominal current
500	28

28

4

Rigid conductor	Flexible conductor
0.2-6	0.2-4

0.2-6

#### Ordering data

Part No.	Order No.	Pcs/Pkt.
JPTTB 4	<a href="#">100105017</a>	
JPTTB 4 BU	<a href="#">100105017BU</a>	
JPTTB 4-PE	<a href="#">100106018</a>	

### JPTTB 4-PV Double Levels Push-in Terminal Block with equipotential bonder

#### Technical parameters

CE RoHS

PA, V0

Width	Length	Height
6.2	83.5	47.5

$I_{max}(A)$	$U_{max}(V)$
32	500

32

IEC	UL
500	600

Rated voltage	Nominal current
500	24

24

4

Rigid conductor	Flexible conductor
0.2-6	0.2-4

0.2-6

#### Ordering data

Part No.	Order No.	Pcs/Pkt.
JPTTB 4-PV	<a href="#">100105018</a>	
JPTTB 4-PV BU	<a href="#">100105018BU</a>	

Certificates

Insulating material, Flammability rating

#### Dimensions

(mm)

#### Maximum electrical data

Maximum bridge current

(A)

#### Electric parameter

Rated voltage

(V)

Nominal current

(A)

Nominal cross section

(mm<sup>2</sup>)

Connection capacity

(mm<sup>2</sup>)

Description

Color

Terminal Block

● Grey

● Blue

● Orange

Ground Terminal Block

● Yellow/Green

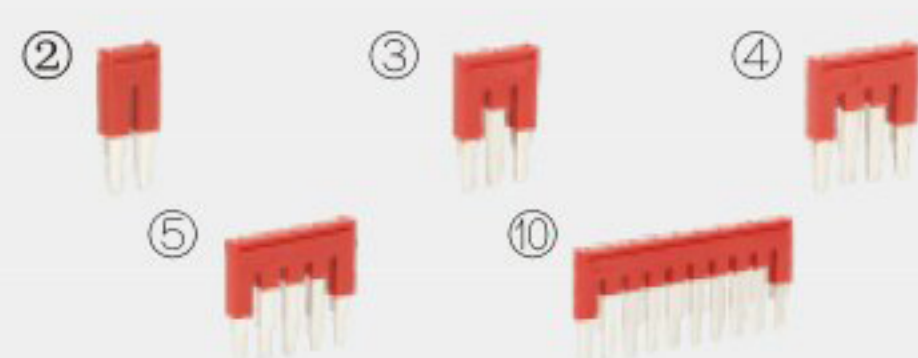
#### Accessories

End cover

Partition plate

Plug-in bridge

Seats



2

● Red

3

● Red

4

● Red

5

● Red

10

● Red

Marker strip

Blank

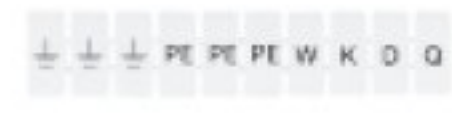
White

Standard numbers

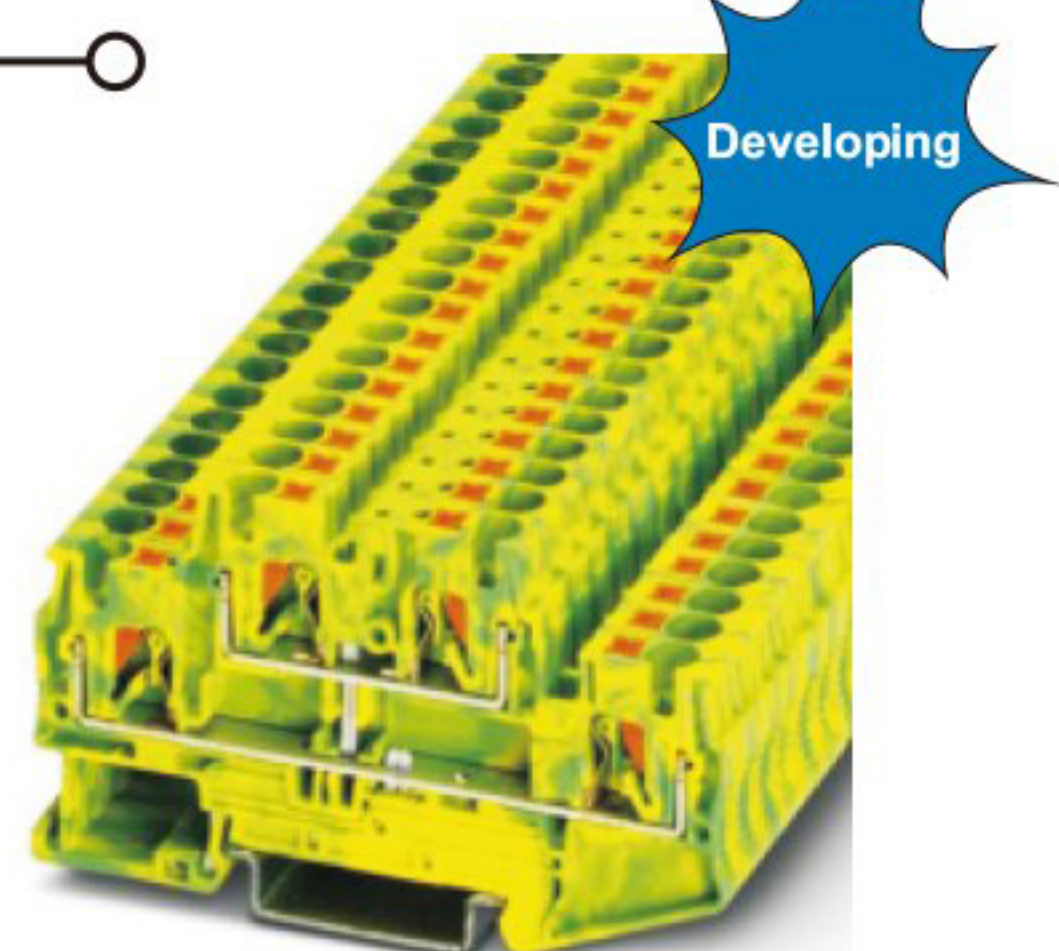
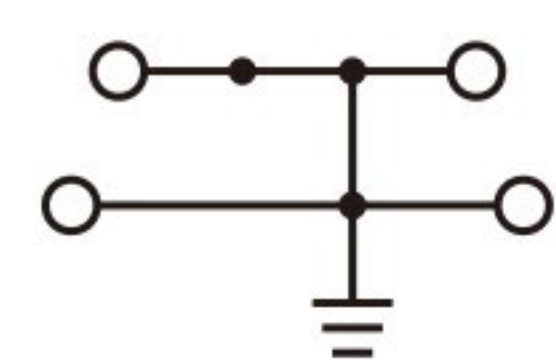


White

Customized words



White

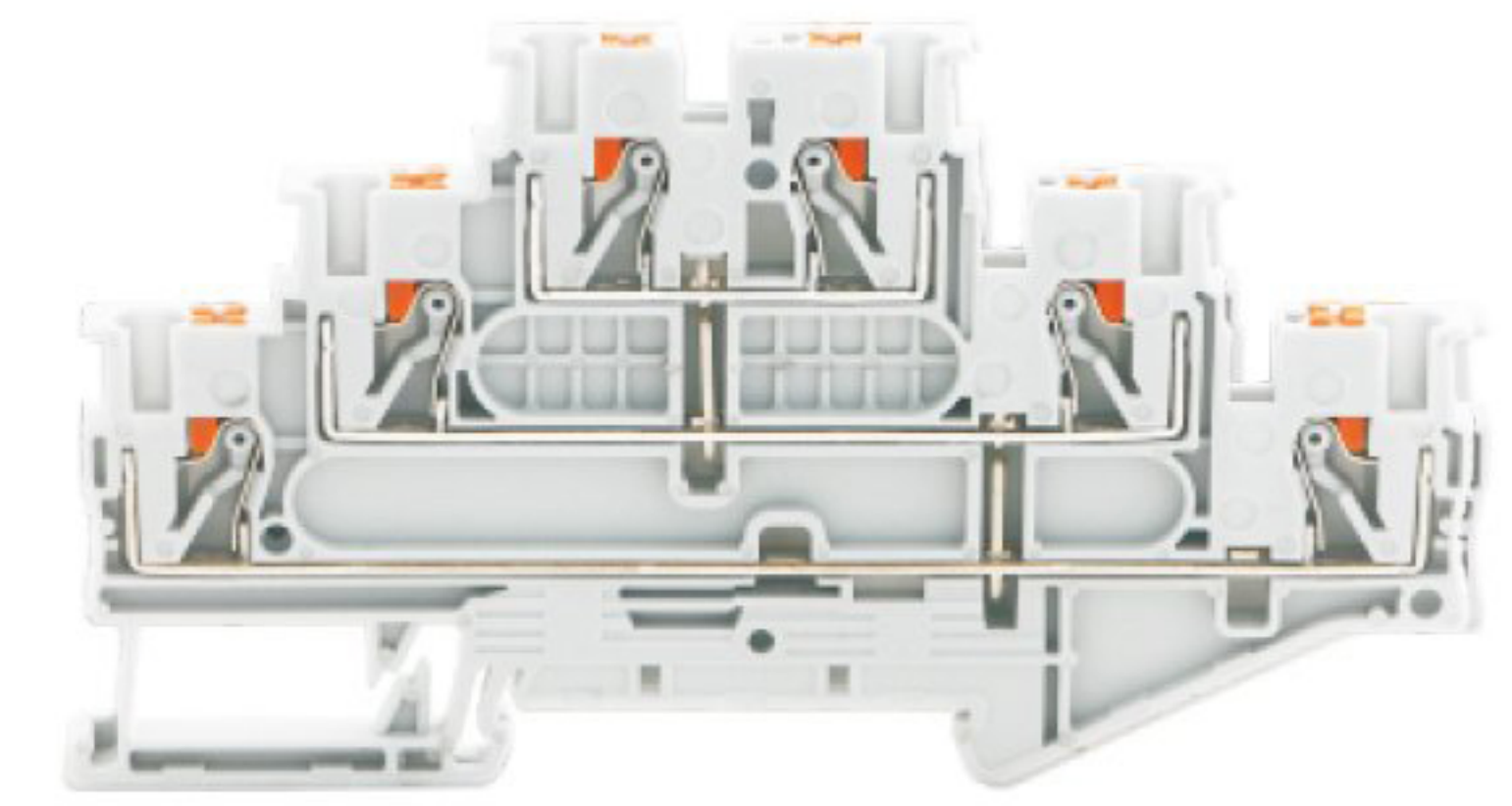
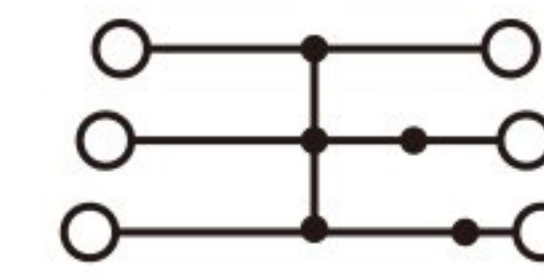
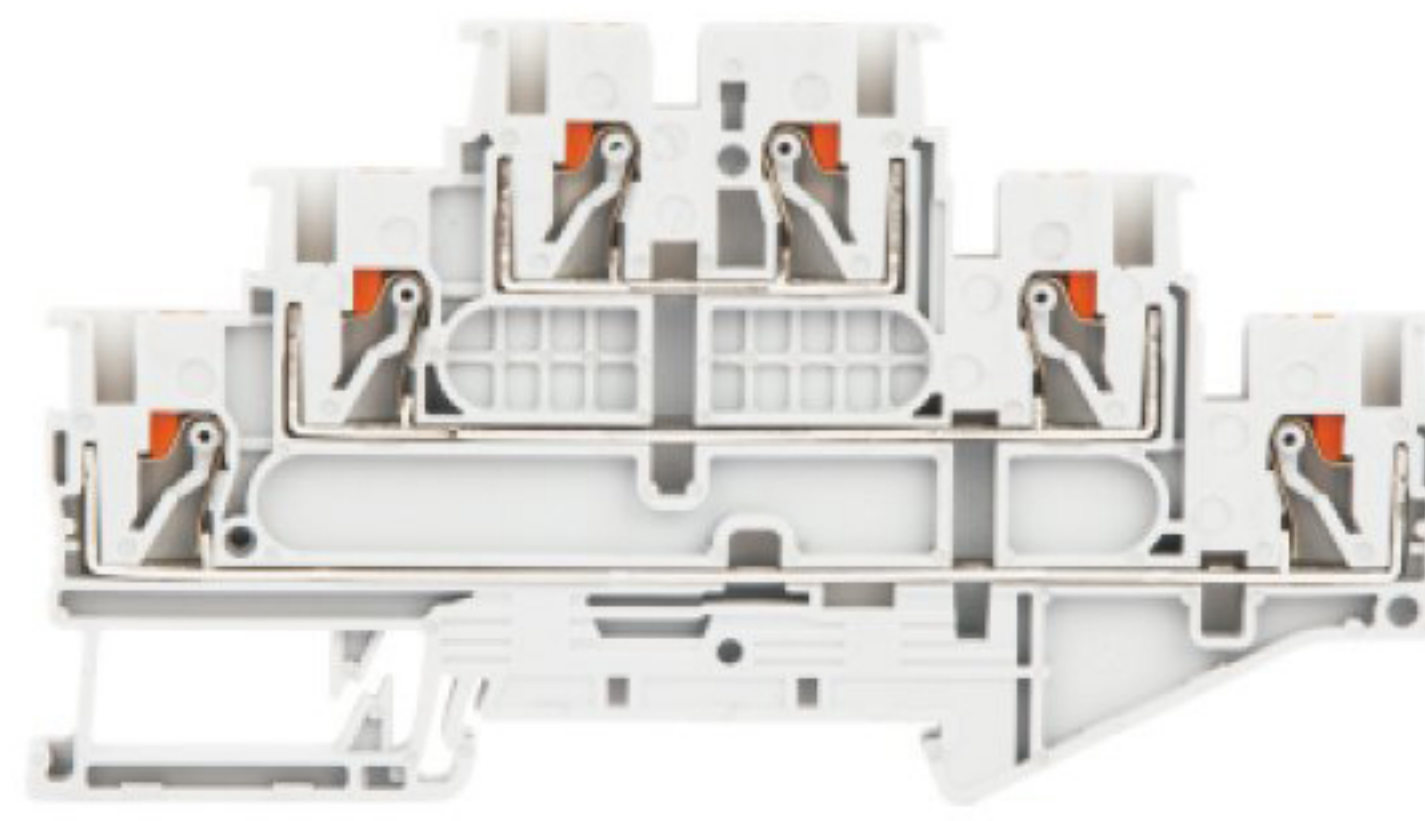
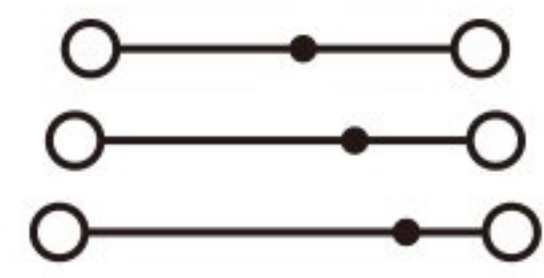


### JPTTB 4-PE Double Levels Push-in Ground Terminal Block

Part No.	Order No.	Pcs/Pkt.
D-JPTTB 4	<a href="#">100203010</a>	
ATP-JST/JPT	<a href="#">100203012</a>	150
② FBS 2-6	<a href="#">100212017</a>	200
③ FBS 3-6	<a href="#">100212018</a>	100
④ FBS 4-6	<a href="#">100212019</a>	100
⑤ FBS 5-6	<a href="#">100212020</a>	100
⑩ FBS 10-6	<a href="#">100212016</a>	50
ZBFM 6	<a href="#">100222025</a>	100
ZBFM 6	<a href="#">100222026</a>	100
ZBFM 6	<a href="#">100222027</a>	100

Part No.	Order No.	Pcs/Pkt.
D-JPTTB 4	<a href="#">100203010</a>	
ATP-JST/JPT	<a href="#">100203012</a>	150
② FBS 2-6	<a href="#">100212017</a>	200
③ FBS 3-6	<a href="#">100212018</a>	100
④ FBS 4-6	<a href="#">100212019</a>	100
⑤ FBS 5-6	<a href="#">100212020</a>	100
⑩ FBS 10-6	<a href="#">100212016</a>	50
ZBFM 6	<a href="#">100222025</a>	100
ZBFM 6	<a href="#">100222026</a>	100
ZBFM 6	<a href="#">100222027</a>	100

## Three Levels Push-in Terminal Blocks



### JPT 2.5-3L Three Levels Push-in Terminal Block

#### Technical parameters

CE RoHS

PA, V0

Width	Length	Height
5.2	102	58

$I_{max}(A)$	$U_{max}(V)$
24	500

24

IEC UL

500 300

20 -

2.5 -

Rigid conductor Flexible conductor

0.14-4 0.14-2.5

#### Ordering data

Part No.	Order No.	Pcs/Pkt.
JPT 2.5-3L	<a href="#">100105021</a>	50
JPT 2.5-3L BU	<a href="#">100105021BU</a>	50
JPT 2.5-3L OG	<a href="#">100105021OG</a>	50
JPT 2.5-3L-PE	<a href="#">100106015</a>	50

### JPT 2.5-3L-PV Three Levels Push-in Terminal Block with equipotential bond

#### Technical parameters

CE RoHS

PA, V0

Width	Length	Height
5.2	102	58

$I_{max}(A)$	$U_{max}(V)$
24	500

24

IEC UL

500 300

20 -

2.5 -

Rigid conductor Flexible conductor

0.14-4 0.14-2.5

#### Ordering data

Part No.	Order No.	Pcs/Pkt.
JPT 2.5-3L-PV	<a href="#">100105022</a>	50
JPT 2.5-3L-PV BU	<a href="#">100105022BU</a>	50
JPT 2.5-3L-PV OG	<a href="#">100105022OG</a>	50

Certificates

Insulating material, Flammability rating

#### Dimensions

(mm)

#### Maximum electrical data

Maximum bridge current

(A)

#### Electric parameter

Rated voltage

(V)

Nominal current

(A)

Nominal cross section

(mm<sup>2</sup>)

Connection capacity

(mm<sup>2</sup>)

Description

Color

Terminal Block

● Grey

● Blue

● Orange

Ground Terminal Block

● Yellow/Green

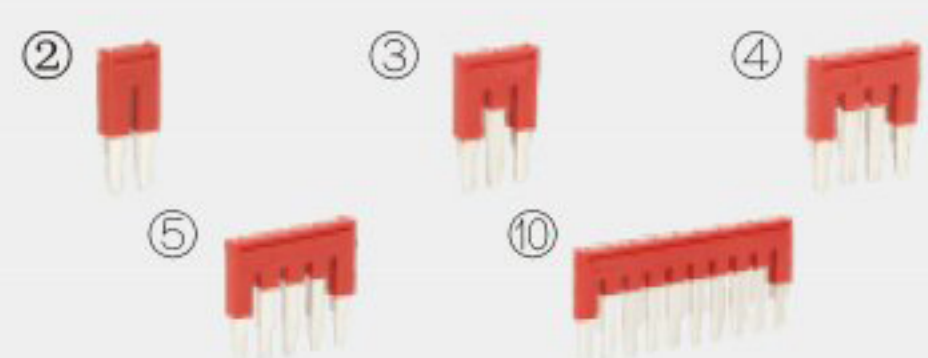
#### Accessories

End cover

Partition plate

Plug-in bridge

Seats



2

● Red

3

● Red

4

● Red

5

● Red

10

● Red

Marker strip

Blank

White

Standard numbers

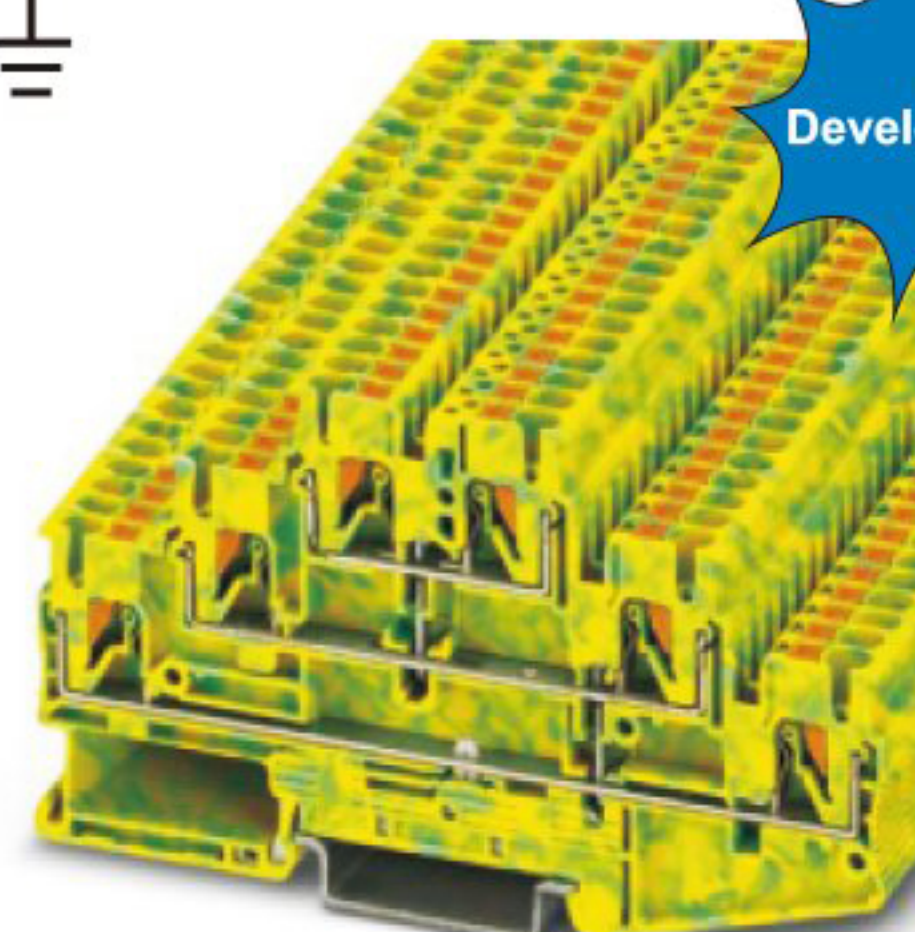
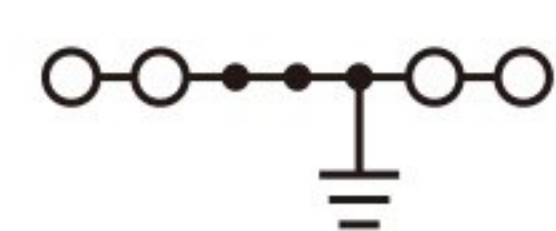


White

Customized words



White



Developing

### JPT 2.5-3L-PE Three Levels Push-in Ground Terminal Block